

Ball bearings in stainless steel

BSS

The BSS bearings are made of stainless steel AISI 440C for all the rotational parts and AISI 304 for the protection and the cage. The construction in AISI 440C provides excellent results in applications mildly aggressive and is not recommended for use in the presence of acids, salts, sea water, etc. The BSS bearings have success in many applications especially in the presence of weather conditions, which is an excellent solution for the realisation of sliding glass doors outside.

Technical characteristics:

Material Stainless steel AISI 440C
Radial Standard
Open type
Grease: The bearings are supplied greased

Fields of application:

Air conveyors for food processing plants
Construction industry, windows, sliding windows, etc

Ball bearings in stainless steel

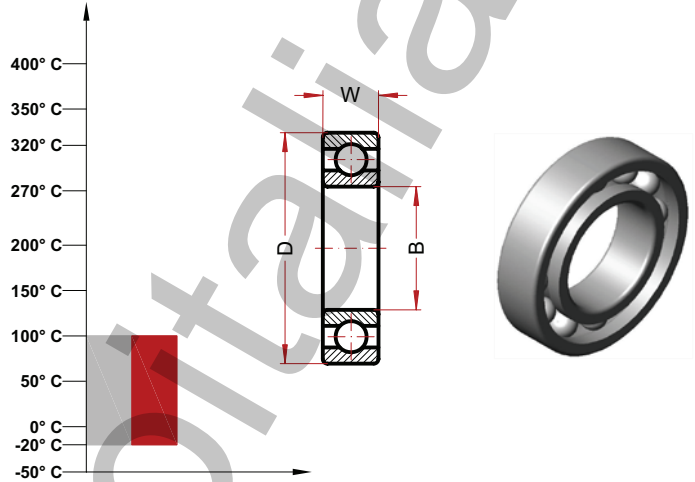
BSS (6000 Serie)

MAX TEMP CELSIUS 100° C

MAX TEMP FAHRENHEIT 212° F

SUGGESTED RANGE -20°/100° C

SUGGESTED RANGE -4°/212° F



| Designation | Bore (B) | Diam (D) | Widht (W) | Weight g | Speed RPM/min (*) | Static Load kN |
|-------------|----------|----------|-----------|----------|-------------------|----------------|
| 6000 BSS | 10 | 26 | 8 | 20 | 19720 | 1.57 |
| 6001 BSS | 12 | 28 | 8 | 25 | 16640 | 1.89 |
| 6002 BSS | 15 | 32 | 9 | 30 | 15360 | 2.28 |
| 6003 BSS | 17 | 35 | 10 | 40 | 14080 | 2.60 |
| 6004 BSS | 20 | 42 | 12 | 69 | 12800 | 4 |
| 6005 BSS | 25 | 47 | 12 | 80 | 10880 | 4.68 |
| 6006 BSS | 30 | 55 | 13 | 120 | 8320 | 6.40 |
| 6007 BSS | 35 | 62 | 14 | 160 | 7040 | 8.32 |
| 6008 BSS | 40 | 68 | 15 | 190 | 6400 | 9.44 |
| 6009 BSS | 45 | 75 | 16 | 250 | 5760 | 11.44 |
| 6010 BSS | 50 | 80 | 16 | 260 | 5440 | 12.48 |
| 6011 BSS | 55 | 90 | 18 | 390 | 4800 | 16.96 |
| 6012 BSS | 60 | 95 | 18 | 420 | 4480 | 18.5 |
| 6013 BSS | 65 | 100 | 18 | 440 | 4032 | 20 |
| 6014 BSS | 70 | 110 | 20 | 600 | 3840 | 25.20 |
| 6015 BSS | 75 | 115 | 20 | 640 | 3584 | 27.20 |

Static load and max speed are calculated for the maximum temperature of application we supply this technical information only for help customer in the choice. Due the extremely difference in the condition of application. We suggest to the customer to contact our engineering service and made pratical test for check in the real condition the pratical working.

Ball bearings in stainless steel

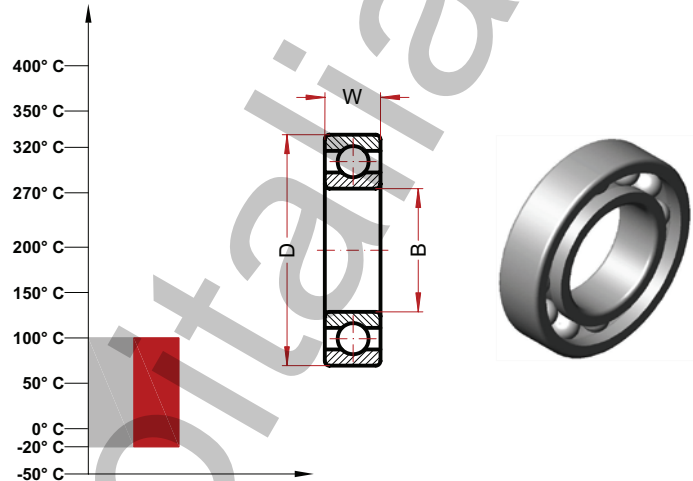
BSS (6200 Serie)

MAX TEMP CELSIUS 100° C

MAX TEMP FAHRENHEIT 212° F

SUGGESTED RANGE -20°/100° C

SUGGESTED RANGE -4°/212° F



| Designation | Bore (B) | Diam (D) | Widht (W) | Weight g | Speed RPM/min (*) | Static Load kN |
|-------------|----------|----------|-----------|----------|-------------------|----------------|
| 6200 BSS | 10 | 30 | 9 | 30 | 16640 | 2.08 |
| 6201 BSS | 12 | 32 | 10 | 37 | 15360 | 2.48 |
| 6202 BSS | 15 | 35 | 11 | 45 | 12800 | 3 |
| 6203 BSS | 17 | 40 | 12 | 65 | 11520 | 3.80 |
| 6204 BSS | 20 | 47 | 14 | 110 | 12000 | 5.24 |
| 6205 BSS | 25 | 52 | 15 | 130 | 8960 | 6.40 |
| 6206 BSS | 30 | 62 | 16 | 200 | 7040 | 8.96 |
| 6207 BSS | 35 | 72 | 17 | 290 | 6080 | 12.24 |
| 6208 BSS | 40 | 80 | 18 | 370 | 5440 | 14.40 |
| 6209 BSS | 45 | 85 | 19 | 410 | 5120 | 16.32 |
| 6210 BSS | 50 | 90 | 20 | 460 | 4800 | 19.20 |
| 6211 BSS | 55 | 100 | 21 | 610 | 4288 | 23.20 |
| 6212 BSS | 62 | 110 | 22 | 780 | 3840 | 28.80 |
| 6213 BSS | 65 | 120 | 23 | 990 | 3392 | 33.20 |
| 6214 BSS | 70 | 125 | 24 | 1040 | 3200 | 35.20 |
| 6215 BSS | 75 | 130 | 25 | 1210 | 3072 | 39.20 |

Static load and max speed are calculated for the maximum temperature of application we supply this technical information only for help customer in the choice. Due the extremely difference in the condition of application. We suggest to the customer to contact our engineering service and made pratical test for check in the real condition the pratical working.

Ball bearings in stainless steel

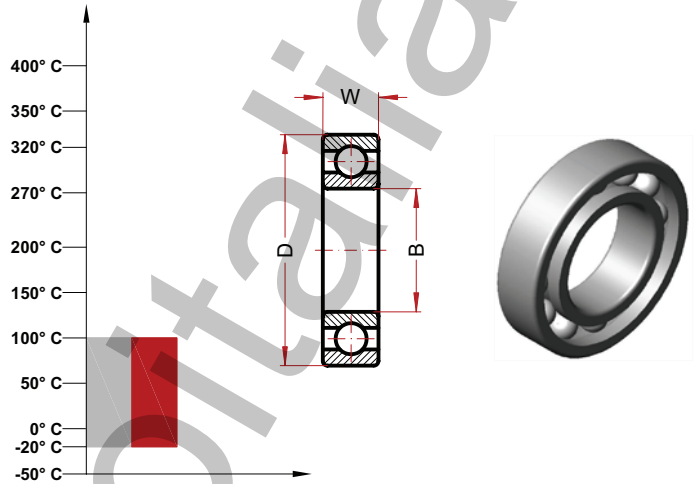
BSS (6300 Serie)

MAX TEMP CELSIUS 100° C

MAX TEMP FAHRENHEIT 212° F

SUGGESTED RANGE -20°/100° C

SUGGESTED RANGE -4°/212° F



| Designation | Bore (B) | Diam (D) | Widht (W) | Weight g | Speed RPM/min (*) | Static Load kN |
|-------------|----------|----------|-----------|----------|-------------------|----------------|
| 6300 BSS | 10 | 35 | 11 | 52 | 14080 | 2.76 |
| 6301 BSS | 12 | 37 | 12 | 60 | 12800 | 3.32 |
| 6302 BSS | 15 | 42 | 13 | 80 | 11520 | 4.32 |
| 6303 BSS | 17 | 47 | 14 | 120 | 10240 | 5.54 |
| 6304 BSS | 20 | 52 | 15 | 140 | 8960 | 6.80 |
| 6305 BSS | 25 | 62 | 17 | 225 | 7040 | 9.12 |
| 6306 BSS | 30 | 72 | 19 | 350 | 6080 | 13.04 |
| 6307 BSS | 35 | 80 | 21 | 450 | 5440 | 15.20 |
| 6308 BSS | 40 | 90 | 23 | 620 | 4800 | 20 |
| 6309 BSS | 45 | 100 | 25 | 830 | 4288 | 25.60 |
| 6310 BSS | 50 | 110 | 27 | 1050 | 3840 | 30.40 |
| 6311 BSS | 55 | 120 | 29 | 1350 | 3392 | 38 |
| 6312 BSS | 60 | 130 | 31 | 1700 | 3200 | 41.60 |
| 6313 BSS | 65 | 140 | 33 | 2100 | 2880 | 48 |
| 6314 BSS | 70 | 150 | 35 | 2500 | 2752 | 30.40 |
| 6315 BSS | 75 | 160 | 37 | 3000 | 2560 | 61.20 |

Static load and max speed are calculated for the maximum temperature of application we supply this technical information only for help customer in the choice. Due the extremely difference in the condition of application. We suggest to the customer to contact our engineering service and made pratical test for check in the real condition the pratical working.

Ball bearings in stainless steel

BSS 2RS

The BSS 2RS bearings are made of stainless steel AISI 440C for all the rotational parts and AISI 304 for the protection and the cage. The construction in AISI 440C provides excellent results in applications mildly aggressive and is not recommended for use in the presence of acids, salts, sea water, etc. The BSS 2RS bearings are successful in many applications especially in the presence of weather conditions, making them an excellent solution for the realisation of sliding glass doors for outside. The presence of 2RS protection and suitable grease allows the direct use in applications without additional protection.

Technical characteristics:

Material Stainless steel AISI 440C
Radial Standard
Stainless Steel sheets type 2RS
Grease: The bearings are supplied greased (-30° to +130°)

Fields of application:

Air conveyors for food processing plants
Construction industry, windows, sliding windows, etc

Ball bearings in stainless steel

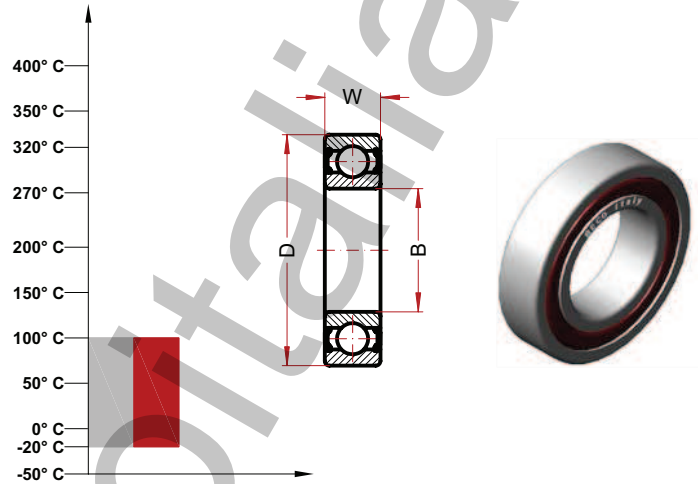
BSS 2RS (MICRO Serie)

MAX TEMP CELSIUS 100° C

MAX TEMP FAHRENHEIT 212° F

SUGGESTED RANGE -20°/100° C

SUGGESTED RANGE -4°/212° F



| Designation | Bore (B) | Diam (D) | Width (W) | Weight g | Speed RPM/min (*) | Static Load kN |
|---------------------|----------|----------|-----------|----------|-------------------|----------------|
| 613/3 BSS 2RS Micro | 3 | 8 | 3 | 1.5 | | |
| 623 BSS 2RS Micro | 3 | 10 | 4 | 3 | 25600 | 0.18 |
| 604 BSS 2RS Micro | 4 | 12 | 4 | 3 | 24320 | 0.34 |
| 624 BSS 2RS Micro | 4 | 13 | 5 | 3 | 24320 | 0.34 |
| 605 BSS 2RS Micro | 5 | 14 | 5 | 4 | 23040 | 0.42 |
| 625 BSS 2RS Micro | 5 | 16 | 5 | 5 | 23040 | 0.42 |
| 606 BSS 2RS Micro | 6 | 17 | 6 | 7 | 20480 | 0.85 |
| 626 BSS 2RS Micro | 6 | 19 | 6 | 8 | 20480 | 0.85 |
| 607 BSS 2RS Micro | 7 | 19 | 6 | 8 | 20480 | 0.85 |
| 627 BSS 2RS Micro | 7 | 22 | 7 | 13 | 19200 | 1.10 |
| 608 BSS 2RS Micro | 8 | 22 | 7 | 13 | 19200 | 1.10 |
| 628 BSS 2RS Micro | 8 | 24 | 8 | 14 | 19200 | 1.10 |
| 609 BSS 2RS Micro | 9 | 24 | 7 | 15 | 19200 | 1.30 |
| 629 BSS 2RS Micro | 9 | 26 | 8 | 20 | 19200 | 1.57 |

Ball bearings in stainless steel

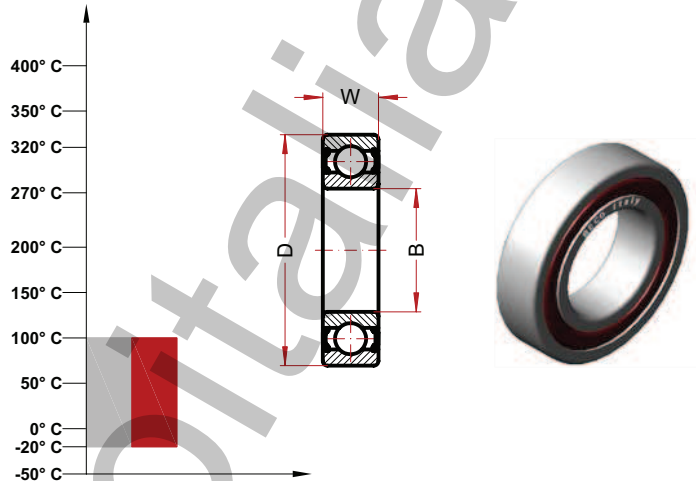
BSS 2RS (61800 Serie)

MAX TEMP CELSIUS 100° C

MAX TEMP FAHRENHEIT 212° F

SUGGESTED RANGE -20°/100° C

SUGGESTED RANGE -4°/212° F



| Designation | Bore (B) | Diam (D) | Width (W) | Weight g | Speed RPM/min (*) | Static Load kN |
|---------------|----------|----------|-----------|----------|-------------------|----------------|
| 61800 BSS 2RS | 10 | 19 | 5 | 5.6 | 21760 | 0.42 |
| 61801 BSS 2RS | 12 | 21 | 5 | 6.5 | 20480 | 0.76 |
| 61802 BSS 2RS | 15 | 24 | 5 | 7.6 | 19200 | 1 |
| 61803 BSS 2RS | 17 | 26 | 5 | 8.2 | 17920 | 1.16 |
| 61804 BSS 2RS | 20 | 32 | 7 | 18 | 14080 | 1.79 |
| 61805 BSS 2RS | 25 | 37 | 7 | 24 | 12160 | 2.24 |
| 61806 BSS 2RS | 30 | 42 | 7 | 27 | 10240 | 2.68 |
| 61807 BSS 2RS | 35 | 47 | 7 | 32 | 8960 | 2.88 |
| 61808 BSS 2RS | 40 | 52 | 7 | 35 | 8320 | 3.40 |
| 61809 BSS 2RS | 45 | 58 | 7 | 42 | 7040 | 4.48 |
| 61810 BSS 2RS | 50 | 65 | 7 | 52 | 6400 | 5.04 |
| 61811 BSS 2RS | 55 | 72 | 9 | 81 | 5760 | 6.80 |
| 61812 BSS 2RS | 60 | 78 | 10 | 105 | 5440 | 8.80 |
| 61813 BSS 2RS | 65 | 85 | 10 | 124 | 4800 | 9.60 |
| 61814 BSS 2RS | 70 | 90 | 10 | 133 | 4480 | 10 |
| 61815 BSS 2RS | 75 | 95 | 10 | 143 | 4288 | 10.72 |

Ball bearings in stainless steel

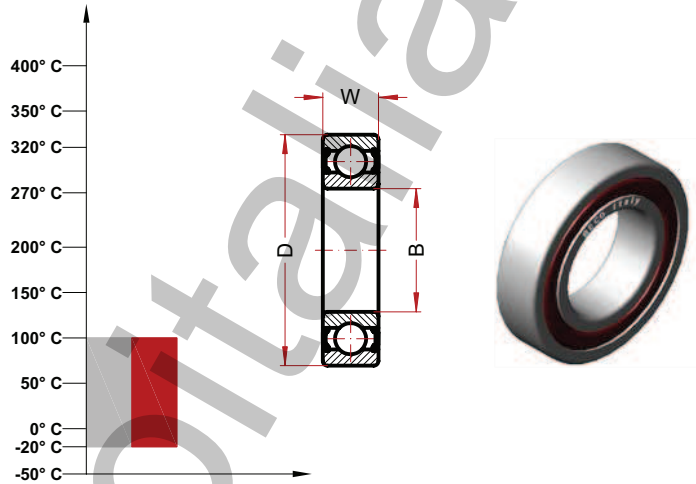
BSS 2RS (61900 Serie)

MAX TEMP CELSIUS 100° C

MAX TEMP FAHRENHEIT 212° F

SUGGESTED RANGE -20°/100° C

SUGGESTED RANGE -4°/212° F



| Designation | Bore (B) | Diam (D) | Widht (W) | Weight g | Speed RPM/min (*) | Static Load kN |
|---------------|----------|----------|-----------|----------|-------------------|----------------|
| 61900 BSS 2RS | 10 | 22 | 6 | 10 | | |
| 61901 BSS 2RS | 12 | 24 | 6 | 11 | | |
| 61902 BSS 2RS | 15 | 28 | 7 | 16 | | |
| 61903 BSS 2RS | 17 | 30 | 7 | 18 | | |
| 61904 BSS 2RS | 20 | 37 | 9 | 38 | | |
| 61905 BSS 2RS | 25 | 37 | 7 | 22 | | |
| 61906 BSS 2RS | 30 | 47 | 9 | 51 | | |
| 61907 BSS 2RS | 35 | 55 | 10 | 80 | | |
| 61908 BSS 2RS | 40 | 62 | 12 | 120 | | |
| 61909 BSS 2RS | 45 | 68 | 12 | 140 | | |
| 61910 BSS 2RS | 50 | 72 | 12 | 160 | | |
| 61911 BSS 2RS | 55 | 80 | 13 | 190 | | |
| 61912 BSS 2RS | 60 | 85 | 13 | 200 | | |
| 61913 BSS 2RS | 65 | 90 | 13 | 220 | | |
| 61914 BSS 2RS | 70 | 100 | 16 | 350 | | |
| 61915 BSS 2RS | 75 | 105 | 16 | 370 | | |

Ball bearings in stainless steel

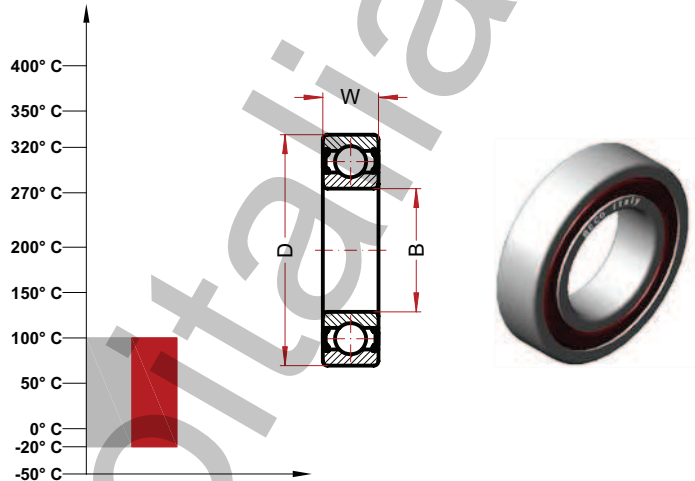
BSS 2RS (6000 Serie)

MAX TEMP CELSIUS 100° C

MAX TEMP FAHRENHEIT 212° F

SUGGESTED RANGE -20°/100° C

SUGGESTED RANGE -4°/212° F



| Designation | Bore (B) | Diam (D) | Widht (W) | Weight g | Speed RPM/min (*) | Static Load kN |
|--------------|----------|----------|-----------|----------|-------------------|----------------|
| 6000 BSS 2RS | 10 | 26 | 8 | 20 | 19720 | 1.57 |
| 6001 BSS 2RS | 12 | 28 | 8 | 25 | 16640 | 1.89 |
| 6002 BSS 2RS | 15 | 32 | 9 | 30 | 15360 | 2.28 |
| 6003 BSS 2RS | 17 | 35 | 10 | 40 | 14080 | 2.60 |
| 6004 BSS 2RS | 20 | 42 | 12 | 69 | 12800 | 4 |
| 6005 BSS 2RS | 25 | 47 | 12 | 80 | 10880 | 4.68 |
| 6006 BSS 2RS | 30 | 55 | 13 | 120 | 8320 | 6.40 |
| 6007 BSS 2RS | 35 | 62 | 14 | 160 | 7040 | 8.32 |
| 6008 BSS 2RS | 40 | 68 | 15 | 190 | 6400 | 9.44 |
| 6009 BSS 2RS | 45 | 75 | 16 | 250 | 5760 | 11.44 |
| 6010 BSS 2RS | 50 | 80 | 16 | 260 | 5440 | 12.48 |
| 6011 BSS 2RS | 55 | 90 | 18 | 390 | 4800 | 16.96 |
| 6012 BSS 2RS | 60 | 95 | 18 | 420 | 4480 | 18.5 |
| 6013 BSS 2RS | 65 | 100 | 18 | 440 | 4032 | 20 |
| 6014 BSS 2RS | 70 | 110 | 20 | 600 | 3840 | 25.20 |
| 6015 BSS 2RS | 75 | 115 | 20 | 640 | 3584 | 27.20 |

Ball bearings in stainless steel

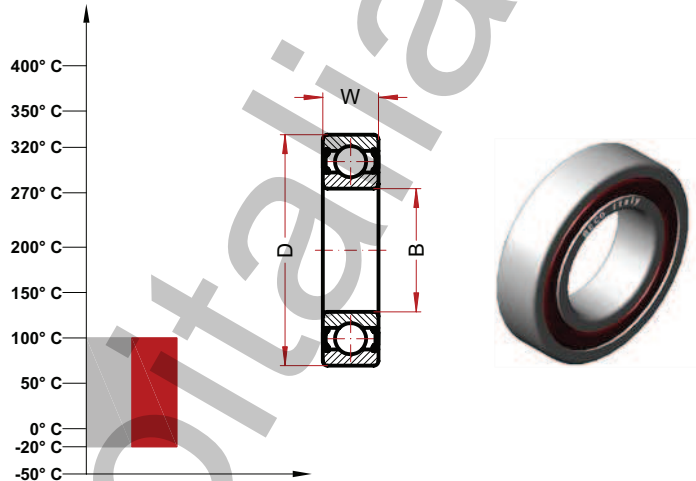
BSS 2RS (6200 Serie)

MAX TEMP CELSIUS 100° C

MAX TEMP FAHRENHEIT 212° F

SUGGESTED RANGE -20°/100° C

SUGGESTED RANGE -4°/212° F



| Designation | Bore (B) | Diam (D) | Widht (W) | Weight g | Speed RPM/min (*) | Static Load kN |
|--------------|----------|----------|-----------|----------|-------------------|----------------|
| 6200 BSS 2RS | 10 | 30 | 9 | 30 | 16640 | 2.08 |
| 6201 BSS 2RS | 12 | 32 | 10 | 37 | 15360 | 2.48 |
| 6202 BSS 2RS | 15 | 35 | 11 | 45 | 12800 | 3 |
| 6203 BSS 2RS | 17 | 40 | 12 | 65 | 11520 | 3.80 |
| 6204 BSS 2RS | 20 | 47 | 14 | 110 | 12000 | 5.24 |
| 6205 BSS 2RS | 25 | 52 | 15 | 130 | 8960 | 6.40 |
| 6206 BSS 2RS | 30 | 62 | 16 | 200 | 7040 | 8.96 |
| 6207 BSS 2RS | 35 | 72 | 17 | 290 | 6080 | 12.24 |
| 6208 BSS 2RS | 40 | 80 | 18 | 370 | 5440 | 14.40 |
| 6209 BSS 2RS | 45 | 85 | 19 | 410 | 5120 | 16.32 |
| 6210 BSS 2RS | 50 | 90 | 20 | 460 | 4800 | 19.20 |
| 6211 BSS 2RS | 55 | 100 | 21 | 610 | 4288 | 23.20 |
| 6212 BSS 2RS | 62 | 110 | 22 | 780 | 3840 | 28.80 |
| 6213 BSS 2RS | 65 | 120 | 23 | 990 | 3392 | 33.20 |
| 6214 BSS 2RS | 70 | 125 | 24 | 1040 | 3200 | 35.20 |
| 6215 BSS 2RS | 75 | 130 | 25 | 1210 | 3072 | 39.20 |

Ball bearings in stainless steel

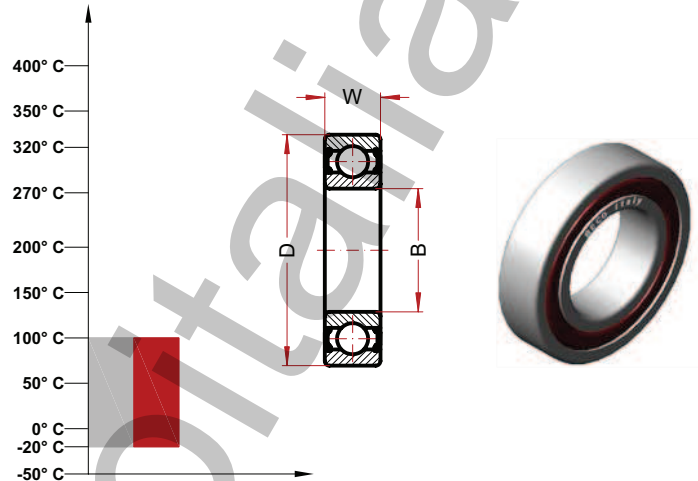
BSS 2RS (6300 Serie)

MAX TEMP CELSIUS 100° C

MAX TEMP FAHRENHEIT 212° F

SUGGESTED RANGE -20°/100° C

SUGGESTED RANGE -4°/212° F



| Designation | Bore (B) | Diam (D) | Widht (W) | Weight g | Speed RPM/min (*) | Static Load kN |
|--------------|----------|----------|-----------|----------|-------------------|----------------|
| 6300 BSS 2RS | 10 | 35 | 11 | 52 | 14080 | 2.76 |
| 6301 BSS 2RS | 12 | 37 | 12 | 60 | 12800 | 3.32 |
| 6302 BSS 2RS | 15 | 42 | 13 | 80 | 11520 | 4.32 |
| 6303 BSS 2RS | 17 | 47 | 14 | 120 | 10240 | 5.54 |
| 6304 BSS 2RS | 20 | 52 | 15 | 140 | 8960 | 6.80 |
| 6305 BSS 2RS | 25 | 62 | 17 | 225 | 7040 | 9.12 |
| 6306 BSS 2RS | 30 | 72 | 19 | 350 | 6080 | 13.04 |
| 6307 BSS 2RS | 35 | 80 | 21 | 450 | 5440 | 15.20 |
| 6308 BSS 2RS | 40 | 90 | 23 | 620 | 4800 | 20 |
| 6309 BSS 2RS | 45 | 100 | 25 | 830 | 4288 | 25.60 |
| 6310 BSS 2RS | 50 | 110 | 27 | 1050 | 3840 | 30.40 |
| 6311 BSS 2RS | 55 | 120 | 29 | 1350 | 3392 | 38 |
| 6312 BSS 2RS | 60 | 130 | 31 | 1700 | 3200 | 41.60 |
| 6313 BSS 2RS | 65 | 140 | 33 | 2100 | 2880 | 48 |
| 6314 BSS 2RS | 70 | 150 | 35 | 2500 | 2752 | 30.40 |
| 6315 BSS 2RS | 75 | 160 | 37 | 3000 | 2560 | 61.20 |

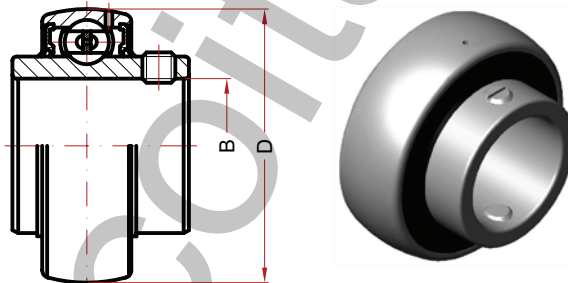
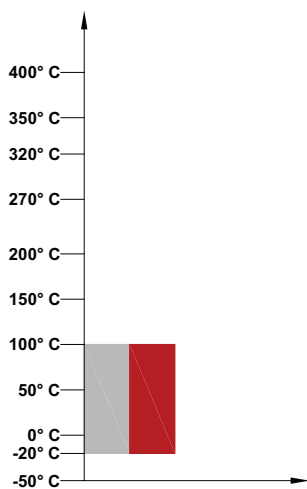
Static load and max speed are calculated for the maximum temperature of application we supply this technical information only for help customer in the choice. Due the extremely difference in the condition of application. We suggest to the customer to contact our engineering service and made pratical test for check in the real condition the pratical working.

Ball bearings in stainless steel

BSS 2RS (UC Serie)

MAX TEMP CELSIUS 100° C
MAX TEMP FAHRENHEIT 212° F

SUGGESTED RANGE -20°/100° C
SUGGESTED RANGE -4°/212° F



| Designation | Bore (B) | Diam (D) | Weight g | Speed RPM/min (*) |
|----------------|----------|----------|----------|-------------------|
| UC 201 BSS 2RS | 12 | 40 | | 1440 |
| UC 202 BSS 2RS | 15 | 40 | | 1440 |
| UC 203 BSS 2RS | 17 | 40 | | 1440 |
| UC 204 BSS 2RS | 20 | 47 | | 1200 |
| UC 205 BSS 2RS | 25 | 52 | | 1120 |
| UC 206 BSS 2RS | 30 | 62 | | 880 |
| UC 207 BSS 2RS | 35 | 72 | | 760 |
| UC 208 BSS 2RS | 40 | 80 | | 680 |
| UC 209 BSS 2RS | 45 | 85 | | 640 |
| UC 210 BSS 2RS | 50 | 90 | | 600 |
| UC 211 BSS 2RS | 55 | 100 | | 536 |
| UC 212 BSS 2RS | 60 | 110 | | 480 |
| UC 213 BSS 2RS | 65 | 120 | | 424 |
| UC 214 BSS 2RS | 70 | 125 | | 400 |
| UC 215 BSS 2RS | 75 | 130 | | 384 |

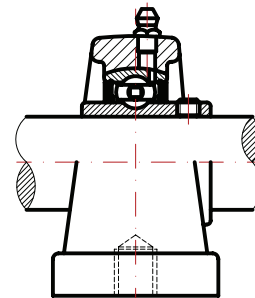
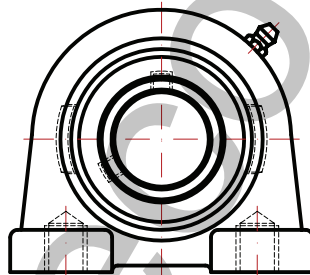
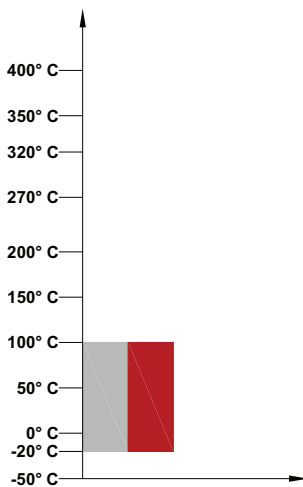
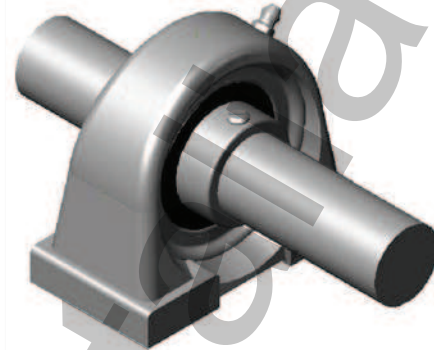
Static load and max speed are calculated for the maximum temperature of application we supply this technical information only for help customer in the choice. Due the extremely difference in the condition of application. We suggest to the customer to contact our engineering service and made pratical test for check in the real condition the pratical working.

Ball bearings in stainless steel

BSS 2RS (UCPA Serie)

MAX TEMP CELSIUS 100° C
MAX TEMP FAHRENHEIT 212° F

SUGGESTED RANGE -20°/100° C
SUGGESTED RANGE -4°/212° F



| Unit code | Bearing code | Housing code |
|------------------|----------------|--------------|
| UCPA 201 BSS 2RS | UC 201 BSS 2RS | SS PA 201 |
| UCPA 202 BSS 2RS | UC 202 BSS 2RS | SS PA 202 |
| UCPA 203 BSS 2RS | UC 203 BSS 2RS | SS PA 203 |
| UCPA 204 BSS 2RS | UC 204 BSS 2RS | SS PA 204 |
| UCPA 205 BSS 2RS | UC 205 BSS 2RS | SS PA 205 |
| UCPA 206 BSS 2RS | UC 206 BSS 2RS | SS PA 206 |
| UCPA 207 BSS 2RS | UC 207 BSS 2RS | SS PA 207 |
| UCPA 208 BSS 2RS | UC 208 BSS 2RS | SS PA 208 |
| UCPA 209 BSS 2RS | UC 209 BSS 2RS | SS PA 209 |
| UCPA 210 BSS 2RS | UC 210 BSS 2RS | SS PA 210 |
| UCPA 211 BSS 2RS | UC 211 BSS 2RS | SS PA 211 |
| UCPA 212 BSS 2RS | UC 212 BSS 2RS | SS PA 212 |
| UCPA 213 BSS 2RS | UC 213 BSS 2RS | SS PA 213 |
| UCPA 214 BSS 2RS | UC 214 BSS 2RS | SS PA 214 |
| UCPA 215 BSS 2RS | UC 215 BSS 2RS | SS PA 215 |

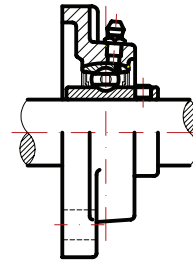
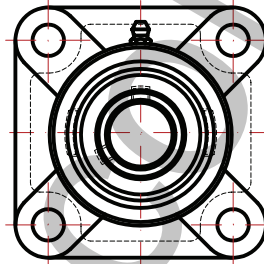
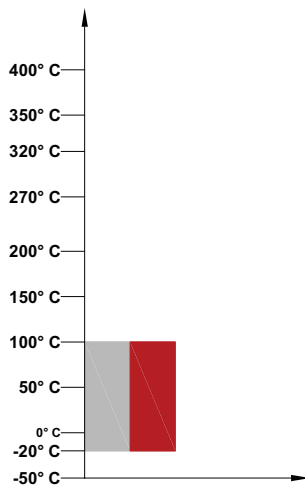
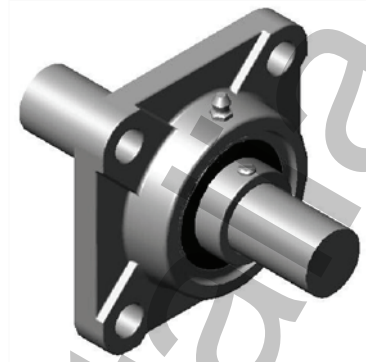
Static load and max speed are calculated for the maximum temperature of application we supply this technical information only for help customer in the choice. Due the extremely difference in the condition of application. We suggest to the customer to contact our engineering service and made practical test for check in the real condition the practical working.

Ball bearings in stainless steel

BSS 2RS (UCF Serie)

MAX TEMP CELSIUS 100° C
MAX TEMP FAHRENHEIT 212° F

SUGGESTED RANGE -20°/100° C
SUGGESTED RANGE -4°/212° F



| Unit code | Bearing code | Housing code |
|-----------------|----------------|--------------|
| UCF 201 BSS 2RS | UC 201 BSS 2RS | SS F 201 |
| UCF 202 BSS 2RS | UC 202 BSS 2RS | SS F 202 |
| UCF 203 BSS 2RS | UC 203 BSS 2RS | SS F 203 |
| UCF 204 BSS 2RS | UC 204 BSS 2RS | SS F 204 |
| UCF 205 BSS 2RS | UC 205 BSS 2RS | SS F 205 |
| UCF 206 BSS 2RS | UC 206 BSS 2RS | SS F 206 |
| UCF 207 BSS 2RS | UC 207 BSS 2RS | SS F 207 |
| UCF 208 BSS 2RS | UC 208 BSS 2RS | SS F 208 |
| UCF 209 BSS 2RS | UC 209 BSS 2RS | SS F 209 |
| UCF 210 BSS 2RS | UC 210 BSS 2RS | SS F 210 |
| UCF 211 BSS 2RS | UC 211 BSS 2RS | SS F 211 |
| UCF 212 BSS 2RS | UC 212 BSS 2RS | SS F 212 |
| UCF 213 BSS 2RS | UC 213 BSS 2RS | SS F 213 |
| UCF 214 BSS 2RS | UC 214 BSS 2RS | SS F 214 |
| UCF 215 BSS 2RS | UC 215 BSS 2RS | SS F 215 |

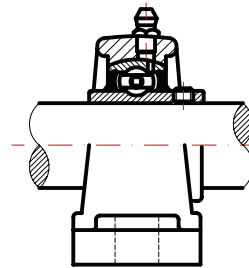
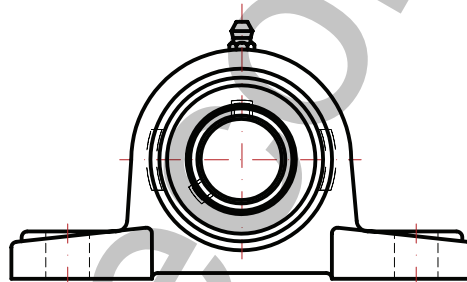
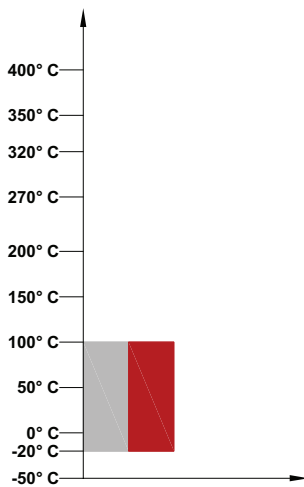
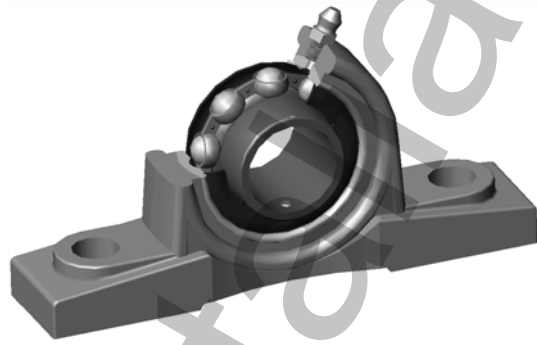
Static load and max speed are calculated for the maximum temperature of application we supply this technical information only for help customer in the choice. Due the extremely difference in the condition of application. We suggest to the customer to contact our engineering service and made practical test for check in the real condition the practical working.

Ball bearings in stainless steel

BSS 2RS (UCP Serie)

MAX TEMP CELSIUS 100° C
MAX TEMP FAHRENHEIT 212° F

SUGGESTED RANGE -20°/100° C
SUGGESTED RANGE -4°/212° F



| Unit code | Bearing code | Housing code |
|-----------------|----------------|--------------|
| UCP 201 BSS 2RS | UC 201 BSS 2RS | SS P 201 |
| UCP 202 BSS 2RS | UC 202 BSS 2RS | SS P 202 |
| UCP 203 BSS 2RS | UC 203 BSS 2RS | SS P 203 |
| UCP 204 BSS 2RS | UC 204 BSS 2RS | SS P 204 |
| UCP 205 BSS 2RS | UC 205 BSS 2RS | SS P 205 |
| UCP 206 BSS 2RS | UC 206 BSS 2RS | SS P 206 |
| UCP 207 BSS 2RS | UC 207 BSS 2RS | SS P 207 |
| UCP 208 BSS 2RS | UC 208 BSS 2RS | SS P 208 |
| UCP 209 BSS 2RS | UC 209 BSS 2RS | SS P 209 |
| UCP 210 BSS 2RS | UC 210 BSS 2RS | SS P 210 |
| UCP 211 BSS 2RS | UC 211 BSS 2RS | SS P 211 |
| UCP 212 BSS 2RS | UC 212 BSS 2RS | SS P 212 |
| UCP 213 BSS 2RS | UC 213 BSS 2RS | SS P 213 |
| UCP 214 BSS 2RS | UC 214 BSS 2RS | SS P 214 |
| UCP 215 BSS 2RS | UC 215 BSS 2RS | SS P 215 |

Static load and max speed are calculated for the maximum temperature of application we supply this technical information only for help customer in the choice. Due the extremely difference in the condition of application. We suggest to the customer to contact our engineering service and made practical test for check in the real condition the practical working.

Ball bearings in stainless steel

BSS ZZ

The BSS ZZ bearings are made of stainless steel AISI 440C for all the rotational parts and AISI 304 for the protection and the cage. The construction in AISI 440C provides excellent results in applications mildly aggressive and is not recommended for use in the presence of acids, salts, sea water, etc. The BSS ZZ bearings are successful in many applications especially in the presence of weather conditions, making them an excellent solution to manufacture sliding glass doors for outside. The use of ZZ protection and suitable grease allow for their direct use in applications without additional protection.

Technical characteristics:

Material Stainless steel AISI 440C
Radial Standard
Stainless steel sheets type ZZ
Grease: The bearings are supplied greased (-30° to +130°)

Fields of application:

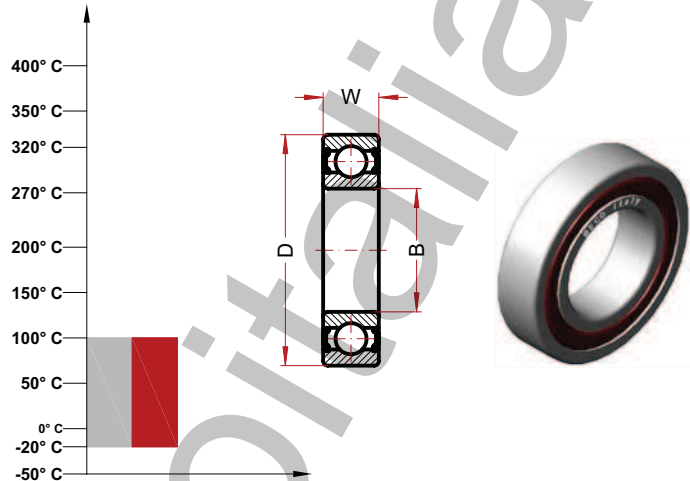
Air conveyors for food processing plants
Construction industry, windows, sliding windows, etc

Ball bearings in stainless steel

BSS ZZ (6000 Serie)

MAX TEMP CELSIUS 100° C
MAX TEMP FAHRENHEIT 212° F

SUGGESTED RANGE -20°/100° C
SUGGESTED RANGE -4°/212° F



| Designation | Bore (B) | Diam (D) | Widht (W) | Weight g | Speed RPM/min (*) | Static Load kN |
|-------------|----------|----------|-----------|----------|-------------------|----------------|
| 6000 BSS ZZ | 10 | 26 | 8 | 20 | 19720 | 1.57 |
| 6001 BSS ZZ | 12 | 28 | 8 | 25 | 16640 | 1.89 |
| 6002 BSS ZZ | 15 | 32 | 9 | 30 | 15360 | 2.28 |
| 6003 BSS ZZ | 17 | 35 | 10 | 40 | 14080 | 2.60 |
| 6004 BSS ZZ | 20 | 42 | 12 | 69 | 12800 | 4 |
| 6005 BSS ZZ | 25 | 47 | 12 | 80 | 10880 | 4.68 |
| 6006 BSS ZZ | 30 | 55 | 13 | 120 | 8320 | 6.40 |
| 6007 BSS ZZ | 35 | 62 | 14 | 160 | 7040 | 8.32 |
| 6008 BSS ZZ | 40 | 68 | 15 | 190 | 6400 | 9.44 |
| 6009 BSS ZZ | 45 | 75 | 16 | 250 | 5760 | 11.44 |
| 6010 BSS ZZ | 50 | 80 | 16 | 260 | 5440 | 12.48 |
| 6011 BSS ZZ | 55 | 90 | 18 | 390 | 4800 | 16.96 |
| 6012 BSS ZZ | 60 | 95 | 18 | 420 | 4480 | 18.5 |
| 6013 BSS ZZ | 65 | 100 | 18 | 440 | 4032 | 20 |
| 6014 BSS ZZ | 70 | 110 | 20 | 600 | 3840 | 25.20 |
| 6015 BSS ZZ | 75 | 115 | 20 | 640 | 3584 | 27.20 |

Static load and max speed are calculated for the maximum temperature of application we supply this technical information only for help customer in the choice. Due the extremely difference in the condition of application. We suggest to the customer to contact our engineering service and made pratical test for check in the real condition the pratical working.

Ball bearings in stainless steel

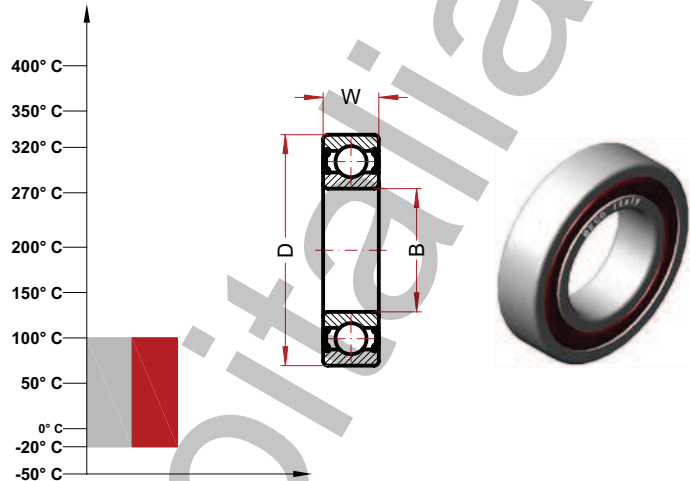
BSS ZZ (6200 Serie)

MAX TEMP CELSIUS 100° C

MAX TEMP FAHRENHEIT 212° F

SUGGESTED RANGE -20°/100° C

SUGGESTED RANGE -4°/212° F



| Designation | Bore (B) | Diam (D) | Widht (W) | Weight g | Speed RPM/min (*) | Static Load kN |
|-------------|----------|----------|-----------|----------|-------------------|----------------|
| 6200 BSS ZZ | 10 | 30 | 9 | 30 | 16640 | 2.08 |
| 6201 BSS ZZ | 12 | 32 | 10 | 37 | 15360 | 2.48 |
| 6202 BSS ZZ | 15 | 35 | 11 | 45 | 12800 | 3 |
| 6203 BSS ZZ | 17 | 40 | 12 | 65 | 11520 | 3.80 |
| 6204 BSS ZZ | 20 | 47 | 14 | 110 | 12000 | 5.24 |
| 6205 BSS ZZ | 25 | 52 | 15 | 130 | 8960 | 6.40 |
| 6206 BSS ZZ | 30 | 62 | 16 | 200 | 7040 | 8.96 |
| 6207 BSS ZZ | 35 | 72 | 17 | 290 | 6080 | 12.24 |
| 6208 BSS ZZ | 40 | 80 | 18 | 370 | 5440 | 14.40 |
| 6209 BSS ZZ | 45 | 85 | 19 | 410 | 5120 | 16.32 |
| 6210 BSS ZZ | 50 | 90 | 20 | 460 | 4800 | 19.20 |
| 6211 BSS ZZ | 55 | 100 | 21 | 610 | 4288 | 23.20 |
| 6212 BSS ZZ | 62 | 110 | 22 | 780 | 3840 | 28.80 |
| 6213 BSS ZZ | 65 | 120 | 23 | 990 | 3392 | 33.20 |
| 6214 BSS ZZ | 70 | 125 | 24 | 1040 | 3200 | 35.20 |
| 6215 BSS ZZ | 75 | 130 | 25 | 1210 | 3072 | 39.20 |

Static load and max speed are calculated for the maximum temperature of application we supply this technical information only for help customer in the choice. Due the extremely difference in the condition of application. We suggest to the customer to contact our engineering service and made pratical test for check in the real condition the pratical working.

Ball bearings in stainless steel

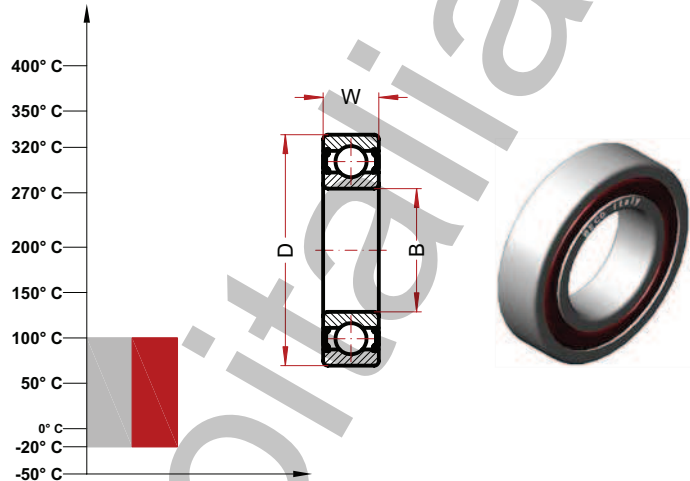
BSS ZZ (6300 Serie)

MAX TEMP CELSIUS 100° C

MAX TEMP FAHRENHEIT 212° F

SUGGESTED RANGE -20°/100° C

SUGGESTED RANGE -4°/212° F



| Designation | Bore (B) | Diam (D) | Widht (W) | Weight g | Speed RPM/min (*) | Static Load kN |
|-------------|----------|----------|-----------|----------|-------------------|----------------|
| 6300 BSS ZZ | 10 | 35 | 11 | 52 | 14080 | 2.76 |
| 6301 BSS ZZ | 12 | 37 | 12 | 60 | 12800 | 3.32 |
| 6302 BSS ZZ | 15 | 42 | 13 | 80 | 11520 | 4.32 |
| 6303 BSS ZZ | 17 | 47 | 14 | 120 | 10240 | 5.24 |
| 6304 BSS ZZ | 20 | 52 | 15 | 140 | 8960 | 6.80 |
| 6305 BSS ZZ | 25 | 62 | 17 | 225 | 7040 | 9.12 |
| 6306 BSS ZZ | 30 | 72 | 19 | 350 | 6080 | 13.04 |
| 6307 BSS ZZ | 35 | 80 | 21 | 450 | 5440 | 15.20 |
| 6308 BSS ZZ | 40 | 90 | 23 | 620 | 4800 | 20 |
| 6309 BSS ZZ | 45 | 100 | 25 | 830 | 4288 | 25.60 |
| 6310 BSS ZZ | 50 | 110 | 27 | 1050 | 3840 | 30.40 |
| 6311 BSS ZZ | 55 | 120 | 29 | 1350 | 3392 | 38 |
| 6312 BSS ZZ | 60 | 130 | 31 | 1700 | 3200 | 41.60 |
| 6313 BSS ZZ | 65 | 140 | 33 | 2100 | 2880 | 48 |
| 6314 BSS ZZ | 70 | 150 | 35 | 2500 | 2752 | 30.40 |
| 6315 BSS ZZ | 75 | 160 | 37 | 3000 | 2560 | 61.20 |

Static load and max speed are calculated for the maximum temperature of application we supply this technical information only for help customer in the choice. Due the extremely difference in the condition of application. We suggest to the customer to contact our engineering service and made pratical test for check in the real condition the pratical working.