

## Ball bearings for low temperature

### BLS ZZ -50°

The BLS ZZ -50° bearings are developed based on the structure of a standard bearing but with appropriate treatments of stabilisation, radial clearance, grease and ZZ shields that make them suitable for operation from -50° to +130°. Their application range is extremely wide and covers many areas; in particular, the BLS ZZ -50° allow an exceptional range of safety in all applications where they can also occur temporarily and for reasons not dependant on the will of the design, temperatures particularly low.

#### Technical characteristics:

Material Steel AISI 52100 (Chrome) stabilized to the application  
Radial C4 (H)  
Lamination Steel type ZZ  
Greasing with grease for temperatures down to -50°

#### Fields of application:

Installations for the production of gas  
Equipment for refrigeration rooms  
Facilities for ski resorts  
Special vehicles for arctic use

## Ball bearings for low temperature

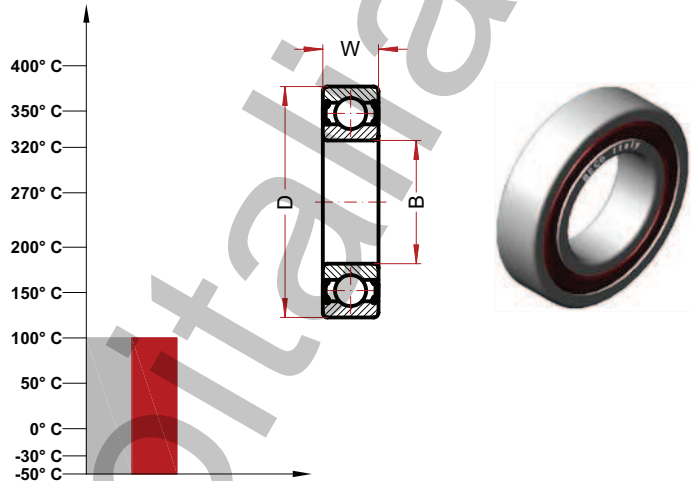
### BLS ZZ -50°

MAX TEMP CELSIUS 100° C

MAX TEMP FAHRENHEIT 212° F

SUGGESTED RANGE -50° C

SUGGESTED RANGE -58° F



Designation	Bore (B)	Diam (D)	Width (W)	Weight g	Speed RPM/min (*)	Static Load kN
6000 BLS ZZ -50°	10	26	8	20	6000	1.76
6001 BLS ZZ -50°	12	28	8	25	5800	2.1
6002 BLS ZZ -50°	15	32	9	30	5600	2.5
6003 BLS ZZ -50°	17	35	10	40	5400	2.9
6004 BLS ZZ -50°	20	42	12	69	5200	4.5
6005 BLS ZZ -50°	25	47	12	80	4800	5.2
6006 BLS ZZ -50°	30	55	13	120	4400	7.2
6007 BLS ZZ -50°	35	62	14	160	4000	9.3
6008 BLS ZZ -50°	40	68	15	190	3600	10.6
6009 BLS ZZ -50°	45	75	16	250	3200	12.8
6010 BLS ZZ -50°	50	80	16	260	2800	14
6011 BLS ZZ -50°	55	90	18	390	2400	19
6012 BLS ZZ -50°	60	95	18	420	2000	20.8
6013 BLS ZZ -50°	65	100	18	440	1800	22.5
6014 BLS ZZ -50°	70	110	20	600	1600	28.3
6015 BLS ZZ -50°	75	115	20	640	1400	30.6
6016 BLS ZZ -50°	80	125	22	850	1200	36
6017 BLS ZZ -50°	85	130	22	890	1000	38.7
6018 BLS ZZ -50°	90	140	24	1150	900	45
6019 BLS ZZ -50°	95	145	24	1200	800	48.6
6020 BLS ZZ -50°	100	150	24	1250	700	48.6

Static load and max speed are calculated for the maximum temperature of application we supply this technical information only for help customer in the choice. Due the extremely difference in the condition of application. We suggest to the customer to contact our engineering service and made practical test for check in the real condition the practical working.

## Ball bearings for low temperature

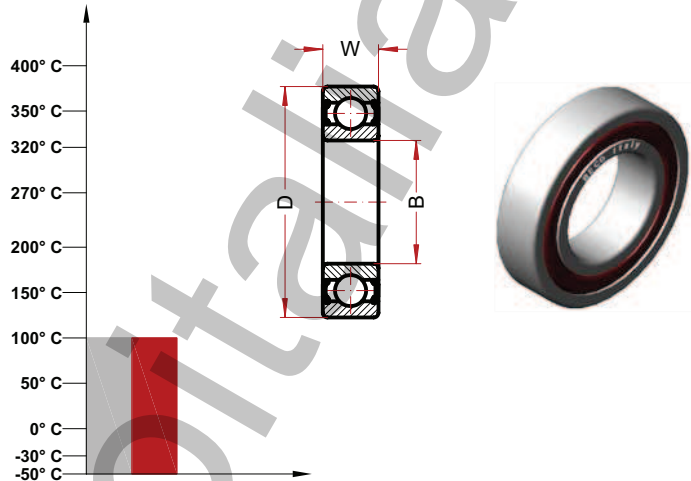
### BLS ZZ -50°

MAX TEMP CELSIUS 100° C

MAX TEMP FAHRENHEIT 212° F

SUGGESTED RANGE -50° C

SUGGESTED RANGE -58° F



Designation	Bore (B)	Diam (D)	Widht (W)		Speed RPM/min (*)	Static Load kN
6200 BLS ZZ -50°	10	30	9	30	5800	2.3
6201 BLS ZZ -50°	12	32	10	37	5600	2.8
6202 BLS ZZ -50°	15	35	11	45	5400	3.3
6203 BLS ZZ -50°	17	40	12	65	5200	4.2
6204 BLS ZZ -50°	20	47	14	110	4800	5.9
6205 BLS ZZ -50°	25	52	15	130	4400	7.2
6206 BLS ZZ -50°	30	62	16	200	4000	10
6207 BLS ZZ -50°	35	72	17	290	3600	13.7
6208 BLS ZZ -50°	40	80	18	370	3200	16.2
6209 BLS ZZ -50°	45	85	19	410	2800	18.3
6210 BLS ZZ -50°	50	90	20	460	2400	21.6
6211 BLS ZZ -50°	55	100	21	610	2000	26.1
6212 BLS ZZ -50°	62	110	22	780	1800	32.4
6213 BLS ZZ -50°	65	120	23	990	1600	37.3
6214 BLS ZZ -50°	70	125	24	1040	1400	39.6
6215 BLS ZZ -50°	75	130	25	1210	1200	44.1
6216 BLS ZZ -50°	80	140	26	1400	1000	49.5
6217 BLS ZZ -50°	85	150	28	1800	900	57.6
6218 BLS ZZ -50°	90	160	30	2150	800	66.1
6219 BLS ZZ -50°	95	170	32	2600	700	73.3
6220 BLS ZZ -50°	100	180	34	3150	600	83.7

Static load and max speed are calculated for the maximum temperature of application we supply this technical information only for help customer in the choice. Due the extremely difference in the condition of application. We suggest to the customer to contact our engineering service and made pratical test for check in the real condition the pratical working.

## Ball bearings for low temperature

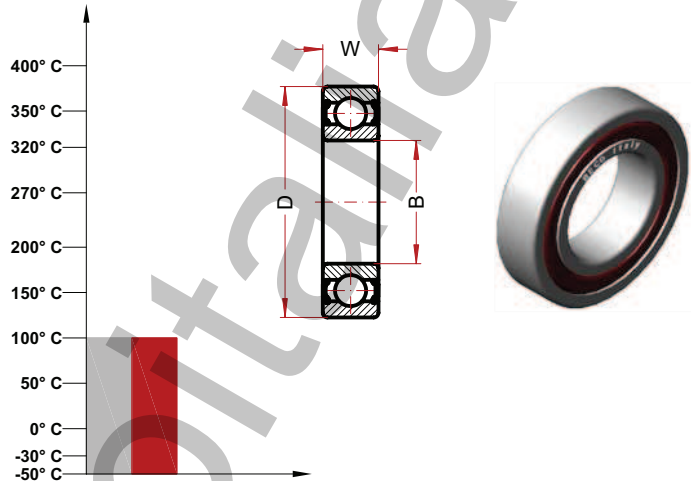
### BLS ZZ -50°

MAX TEMP CELSIUS 100° C

MAX TEMP FAHRENHEIT 212° F

SUGGESTED RANGE -50° C

SUGGESTED RANGE -58° F



Designation	Bore (B)	Diam (D)	Widht (W)	Weight g	Speed RPM/min (*)	Static Load kN
6300 BLS ZZ -50°	10	35	11	52	5600	3.1
6301 BLS ZZ -50°	12	37	12	60	5400	3.7
6302 BLS ZZ -50°	15	42	13	80	5200	4.8
6303 BLS ZZ -50°	17	47	14	120	4800	5.8
6304 BLS ZZ -50°	20	52	15	140	4400	7.6
6305 BLS ZZ -50°	25	62	17	225	4000	10.2
6306 BLS ZZ -50°	30	72	19	350	3600	14.6
6307 BLS ZZ -50°	35	80	21	450	3200	17.1
6308 BLS ZZ -50°	40	90	23	620	2800	22.5
6309 BLS ZZ -50°	45	100	25	830	2400	28.8
6310 BLS ZZ -50°	50	110	27	1050	2000	34.2
6311 BLS ZZ -50°	55	120	29	1350	1800	42.7
6312 BLS ZZ -50°	60	130	31	1700	1600	46.8
6313 BLS ZZ -50°	65	140	33	2100	1400	54
6314 BLS ZZ -50°	70	150	35	2500	1200	61.2
6315 BLS ZZ -50°	75	160	37	3000	1000	68.8
6316 BLS ZZ -50°	80	170	39	3600	900	77.8
6317 BLS ZZ -50°	85	180	41	4250	800	86.8
6318 BLS ZZ -50°	90	190	43	4900	700	97.2
6319 BLS ZZ -50°	95	200	45	5650	600	106.2
6320 BLS ZZ -50°	100	215	47	7000	500	126

Static load and max speed are calculated for the maximum temperature of application we supply this technical information only for help customer in the choice. Due the extremely difference in the condition of application. We suggest to the customer to contact our engineering service and made pratical test for check in the real condition the pratical working.