

drylin® general drive technology: low profile linear modules SLN



Small and compact

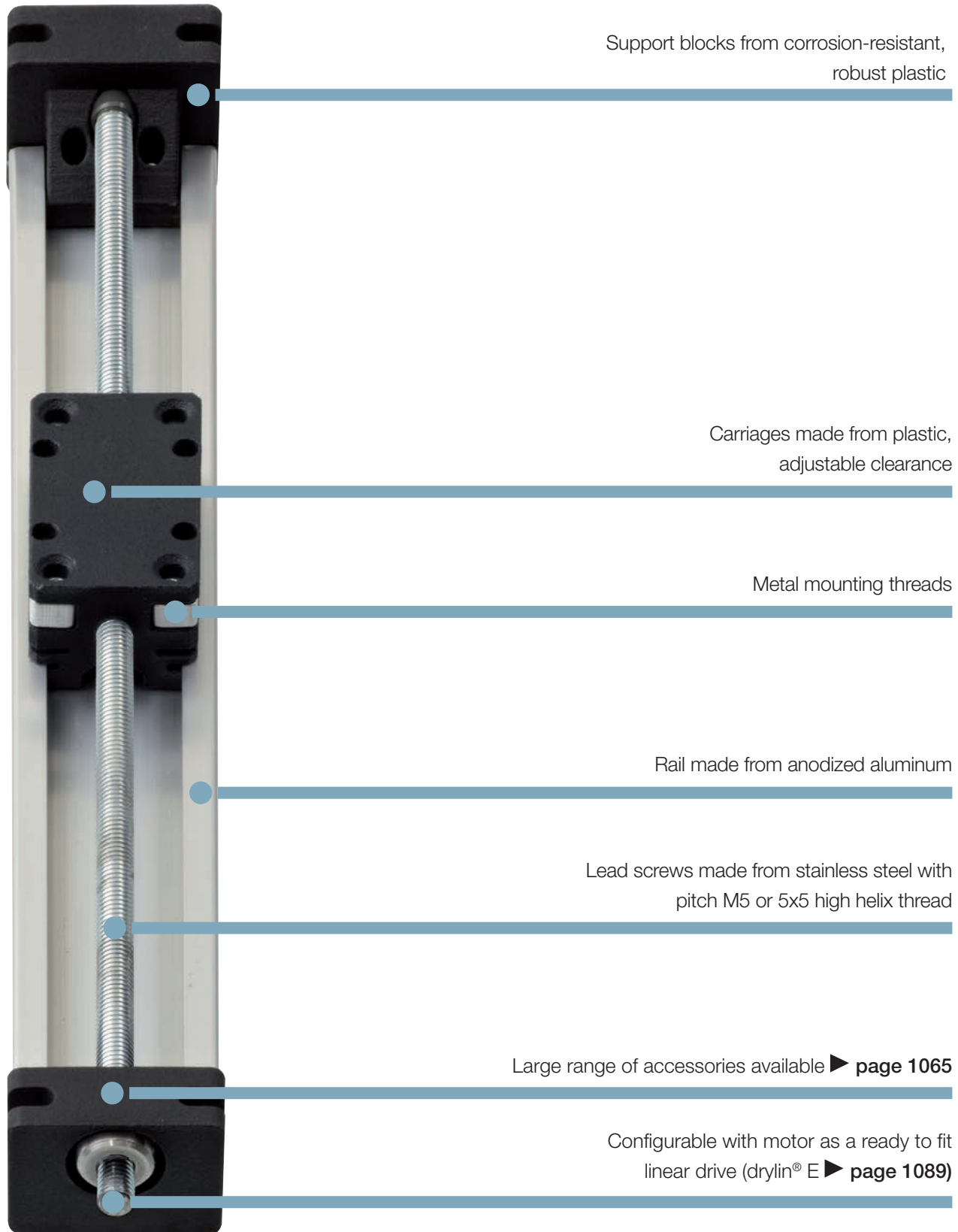
Based on system drylin® N size 27

100 % lubrication-free

Manual and motorized operation

drylin® SLN | Miniature Linear Modules

drylin® N linear axes provide a solution for restricted installation space. The drive unit measures 28x22 mm and is available with stroke lengths up to 250 mm. Due to the plastic glides, the axis runs extremely quietly and smoothly. The base of the axis is formed by the proven drylin® N system size 27. It can be combined with a NEMA 11 stepper motor. The completely lubrication-free operation is given by polymer plain bearings in the lead screw supports and the carriages.



SLN Miniature Linear Module

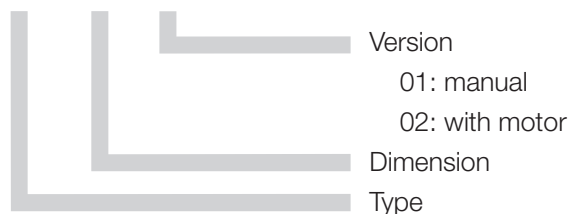


- Small and compact
 - Based on drylin® N size 27
 - 100% lubrication-free
 - Polymer plain bearings
 - Manual and motorized operation possible
 - Available accessories
- ▶ **page 1065**

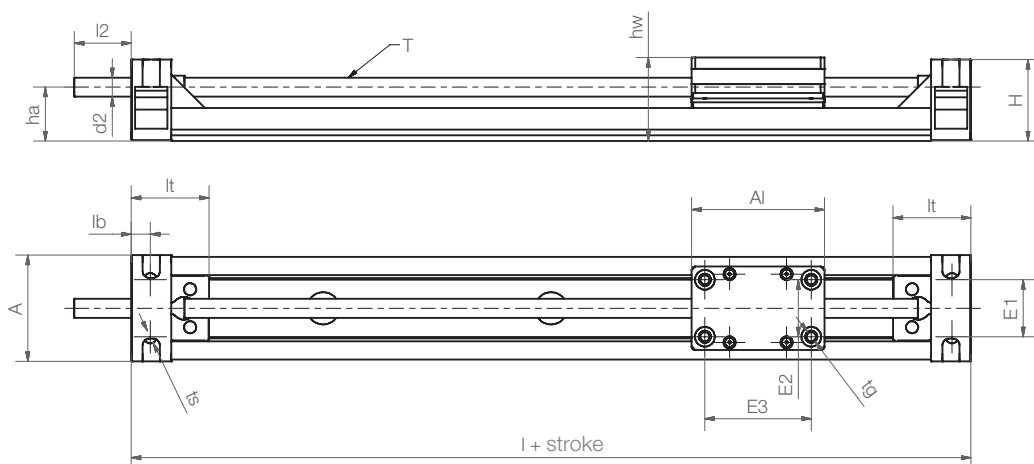


Order key

SLN-27-01



▶ **page 1089**



Technical Data

Part number	Max. length of stroke	Weight	Additional	max. stat. load-bearing capacity		max. Speed	max. drive torque
				axial	radial		
	[mm]	[kg]	[kg] (per 100 mm)	[N]	[N]	[U/min]	[Nm]
SLN-27-01 New!	250	0.06	0.04	10	40	300	0.1

Dimension [mm]

Part number	A	Al	H	E1	E2	E3	l	hw	lt	lb	ts	tg	T / d2	l2	ha
	±0.2	-0.1	±0.2	±0.15	±0.15	±0.15		±0.2	±0.2						
SLN-27-01 New!	28	35	21.5	15	15	28	76	22	20.2	5	3.5	M3	M5	15	14



delivery time from stock



prices price list online
www.igus.co.uk/en/drylinSLN