

Radial and Angular Contact Bearings

Special Duty Bearings

Nomenclature

	Page
Tri-Ply Seal Series, Non-Relubricatable Type Cylindrical O.D.	35
Tri-Ply Seal Series, Non-Relubricatable Type Spherical O.D.	36
Tri-Ply Seal Series, Relubricatable Type	37
Tri-Ply Seal Series, Disk Harrow Units	38
Hex Bore Series	39
Light 200 Series, R-Seal Type	40
Farm Radial Specials.	40-43
XLS Series, Conrad and Maximum Capacity Types	44-45

Radial Bearings

Prefixes:

A	stainless steel
F	flanged outer ring
H	snug fit
J	extra loose internal fit
JJ	extra extra loose internal fit
L	internal self-aligning
M	precision ABEC-3
2M	angular-contact, ABEC-3, 15°
3M	angular-contact, ABEC-3, 25°
MM	superprecision, ABEC-7 tolerances
MV	ABEC-7 modified
2MM	angular-contact, ABEC-7, 15°
3MM	angular-contact, ABEC-7, 25°
P	loose fit
R	normal fit
S	extra-small inch-dimension type (Aerolite)
T	tight fit
V	precision ABEC-5
W	wide-type single row (same width inner and outer)
WIR	single row- wide inner only

Bore Size (04 and up: multiply last two numbers by 5 to get bore in millimeters)

00	10mm
01	12mm
02	15mm
03	17mm
04	20mm
05	25mm
12	60mm
20	100mm

Suffixes:

C1, C2, C3, etc. (manufacturing code - Fafnir use only)

FT	full ball complement
K	Conrad, non-filling slot type
W	maximum capacity, filling slot type
WI	angular contact, low-shoulder, outer
WO	angular contact, low-shoulder, inner
WN	angular contact, low-shoulder, inner and outer

W

3

05

K

LL

Numbers: Basic Type Series

S1, 3, 5, 7, etc.	single row inch, extra small
30	single row metric, extra small
100	single row, extra large
200	single row, light
300	single row, medium
5200	double row, light
5300	double row, medium
7200	single row, angular contact, light
7300	single row, angular contact, medium
7400	single row, angular contact, heavy
9100	single row, extra-light
9300	single row, ultra-light
XLS	inch dimension, conrad type

Additional Features

B	spherical outside diameter
BR	cast bronze retainer
D	one shield
DD	two shields
G	Wireloc (snap ring)
L	one Mechanical-Seal
LL	two Mechani-seals
MBR	machined bronze retainer
P	one seal
PP	two seals
PP2, 3, 4, etc.	Tri-Ply Seals if prefix letter is W (example W208PPB5)
R	one land riding rubber seal
RR	two land riding rubber seals
S	external self-aligning
SMBR	iron silicon bronze retainer
T	one felt seal
TT	two felt seals



Tri-Ply Seal Series Non-Relubricatable Type Cylindrical O.D.

Tri-Ply Seal ball bearings are designed for environments where severe contamination is present such as agricultural tillage equipment. The one-piece Tri-Ply Seals incorporate a highly effective seal design molded to an exterior shroud cap to provide exceptionally effective protection against the loss of lubricant and the entrance of wet or abrasive contaminants. A seven piece Tri-Ply construction is standard on certain sizes. The shroud cap nests closely with the outside seal and helps protect the rubber seal members from wrappage and abrasion.

A feature of these bearings is their balanced design identified by deep races, large balls and extra wide or heavy, shock-resistant inner and outer rings. The use of Tri-Ply Seal bearings simplifies housing designs, and their extra inner ring width provides greater support on the shaft. For speeds in excess of 500 RPM, consult the Engineering Department.

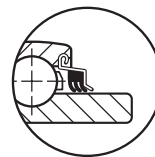
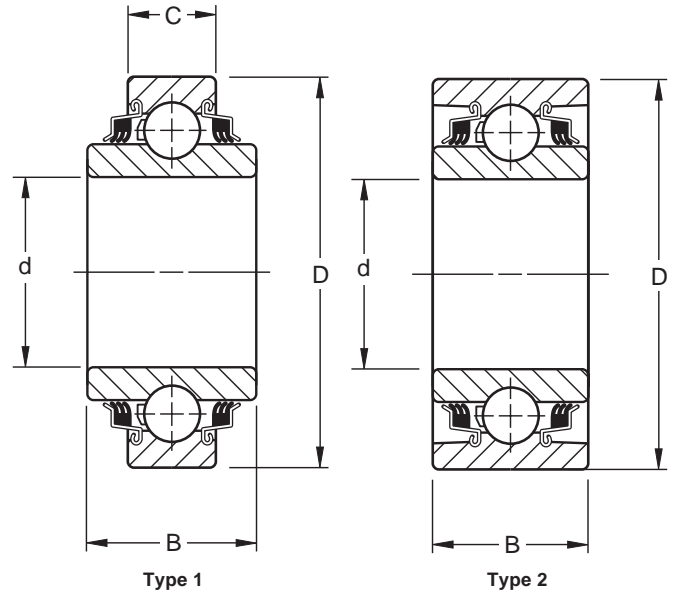


Figure 1

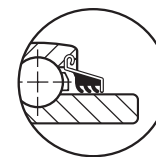


Figure 2

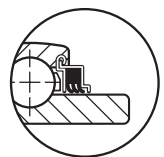


Figure 3

ROUND BORE

Bearing Number	Type-Fig.	Bore d				Outside Diameter D				Ring Width +0.000", -0.005" +0.00, -.12 mm				Balls		Wt.		Static Load Rating C ₀		Extended Dynamic Load Rating C _E			
		tolerance +0.0000" +0.000 mm to minus				tolerance +0.0000" +0.000 mm tolerance				B Inner		C Outer		No.	Size	lbs.	kg	lbs.	N	lbs.	N		
		in.	mm	in.	mm	in.	mm	in.	mm	in.	mm	in.	mm	in.	mm	No.	size	lbs.	kg	lbs.	N	lbs.	N
W208PP10	1-1	1.5005	38.113	0.0005	0.013	3.1496	80	0.0005	0.013	1.688	42.96	0.827	21.00	9	½	1.5	0.680	4500	19900	8300	36800		
W210PP8	2-	1.5300	38.860	0.0100	0.250	3.5433	90	0.0006	0.015	1.188	30.18	1.188	30.18	10	½	1.97	0.894	5200	23000	9000	39900		
W210PP2	2-	1.9380	49.230	0.0005	0.013	3.5433	90	0.0006	0.015	1.188	30.18	1.188	30.18	10	½	1.69	0.767	5200	23000	9000	39900		
W211PP2	2-2	2.1880	55.580	0.0006	0.015	3.9370	100	0.0006	0.015	1.312	33.34 ⁽¹⁾	1.312	33.34	10	⅝	2.33	1.056	6550	29000	11000	48800		
W214PP2	2-	2.7559	70.000	0.0006	0.015	4.9213	125	0.0008	0.020	1.562	39.69 ⁽¹⁾	1.562	39.69	10	⅞	4.19	1.901	9800	43500	16000	71000		
W315PP2	2-	3.0056	76.342	0.0006	0.015	6.2992	160	0.0010	0.025	2.688	68.26 ⁽¹⁾	2.688	68.26	8	1 ⅞	13.13	5.956	17300	76800	29000	128000		

⁽¹⁾Inner and outer width tolerance is .000" to .006" (.00mm to -.15mm)

SQUARE BORE

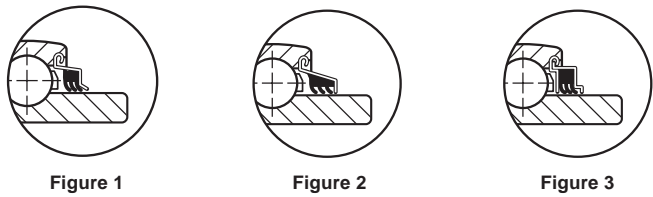
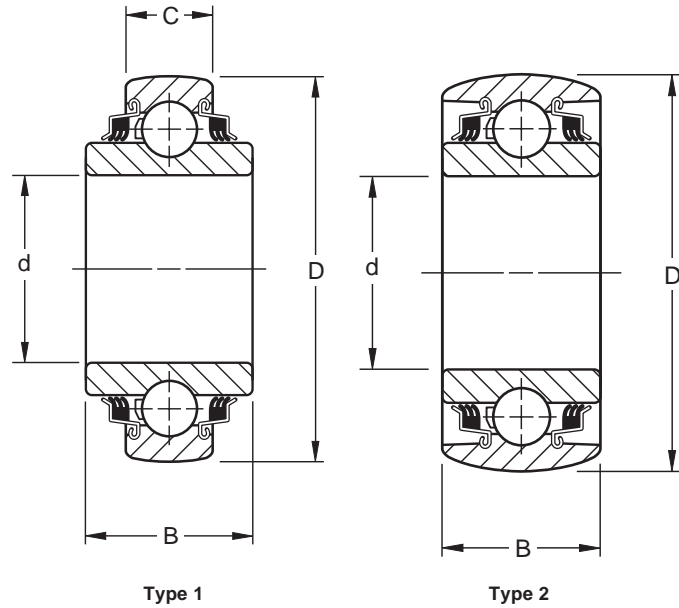
Bearing Number	Type-Fig.	Shaft Size		Outside Diameter D				Ring Width +0.000", -0.005" +0.00, -.12 mm				Balls		Wt.		Static Load Rating C ₀		Extended Dynamic Load Rating C _E			
				tolerance +0.0000" +0.000 mm to minus				B Inner		C Outer		No.	Size	lbs.	kg	lbs.	N	lbs.	N		
		in.	mm	in.	mm	in.	mm	in.	mm	in.	mm	in.	mm	No.	size	lbs.	kg	lbs.	N	lbs.	N
W208PP6	1-1	1	25.4			3.1496	80	0.0005	0.013	1.438	36.51	0.709	18	9	½	1.62	0.73	4500	19900	8300	36800
W208PP5	1-1	1 ⅞	28.6			3.1496	80	0.0005	0.013	1.438	36.51	0.709	18	9	½	1.5	0.68	4500	19900	8300	36800
W208PP20	1-1	1 ⅞	28.6			3.1496	80	0.0005	0.013	1.438	36.51	0.709	18	9	½	1.5	0.68	4500	19900	8300	36800
W208PP8	1-1	1 ⅞	28.6			3.1496	80	0.0005	0.013	1.438	36.51	1.188	30.18	9	½	1.66	0.75	4500	19900	8300	36800
W211PP3	2-2	1 ½	38.1			3.9370	100	0.0006	0.015	1.312	33.34 ⁽¹⁾	1.312	33.34	10	⅝	2.79	1.27	6550	29000	11000	48800
W211PP5	1-2	1 ½	38.1			4.0000	101.6	0.0006	0.015	1.75	44.45 ⁽¹⁾	1.438	36.52	10	⅞	3.48	1.58	6550	29000	11000	48800

⁽¹⁾Inner and outer width tolerance is .000" to .006" (.00mm to -.15mm)



Tri-Ply Seal Series Non-Relubricatable Type Spherical O.D.

These Tri-Ply Seal bearings are similar in design and features to those shown on page 35 except for a spherical O.D.



ROUND BORE

Bearing Number	Type-Fig.	Bore d				Outside Diameter D				Ring Width +0.000", -0.005" +0.00, -0.12 mm				Balls No. Size	Stamping Size	Wt. lbs. kg	Static Load Rating C ₀ lbs. N	Extended Dynamic Load Rating C _E lbs. N			
		in.	mm	in.	mm	in.	mm	in.	mm	in.	mm	in.	mm						in.	mm	
W208PPB7	1-1	1.1880	3.170	0.0005	0.013	3.150	80	0.0005	0.013	1.188	30.18	0.709	18.00	9 1/2	80MS	1.41	0.64	4500	19900	8300	36800
W208PPB2	1-	1.5005	38.113	0.0005	0.013	3.150	80	0.0005	0.013	1.688	42.96	0.709	18.00	9 1/2	80MS	1.59	0.721	4500	19900	8300	36800
W208PPB23	1-1	1.5005	38.113	0.0005	0.013	3.150	80	0.0005	0.013	1.688	42.96	1.188	30.18	9 1/2	80MS	1.5	0.68	3550	15600	7200	32000
W209PPB2	2-2	1.7717	45.000	0.0005	0.013	3.346	85	0.0006	0.015	1.188	30.18	1.188	30.18	9 1/2	85MS	1.44	0.653	4550	20200	8300	36800
W209PPB4	2-2	1.5350	39.000	0.0100	0.250	3.346	85	0.0006	0.015	1.188	30.18	1.188	30.18	9 1/2	85MS	1.65	0.748	4550	20200	8300	36800
W210PPB2	2-	1.9380	49.230	0.0005	0.013	3.543	90	0.0006	0.015	1.188	30.18	1.188	30.18	10 1/2	90MS	1.56	0.708	5200	23000	9000	39900
W210PPB5	2-	1.7850	45.340	0.0100	0.250	3.543	90	0.0006	0.015	1.188	30.18	1.188	30.18	10 1/2	90MS	1.75	0.794	5200	23000	9000	39900
W211PPB2	2-2	2.1880	55.580	0.0006	0.015	3.937	100	0.0006	0.015	1.312	33.34 ⁽¹⁾	1.312	33.34	10 3/8	100MS	3.63	0.966	6550	29000	11000	48800
W214PPB2	2-	2.7559	70.000	0.0006	0.015	4.921	125	0.0008	0.020	1.562	39.69 ⁽¹⁾	1.562	39.69	10 1/8	—	3.96	1.796	9800	43500	16000	71000
W214PPB9	1-	2.7660	70.260	0.0010	0.025	4.921	125	0.0008	0.020	1.750	44.45 ⁽¹⁾	1.102	28.00	10 1/8	—	3.96	1.796	9800	43500	16000	71000

⁽¹⁾ Inner and outer width tolerance is .000" to -.006" (.00mm to -.15mm)

SQUARE BORE

Bearing Number	Type-Fig.	Shaft Size		Outside Diameter D				Ring Width +0.000", -0.005" +0.00, -0.12 mm				Balls No. Size	Stamping Size	Wt. lbs. kg	Static Load Rating C ₀ lbs. N	Extended Dynamic Load Rating C _E lbs. N			
		in.	mm	in.	mm	in.	mm	in.	mm	in.	mm						in.	mm	
W208PPB13	1-1	3/8	22.2	3.1496	80	0.0005	0.013	1.438	36.53	0.709	18.00	9 1/2	80MS	1.62	0.735	4500	19900	8300	36800
W208PPB6	1-1	1	25.4	3.1496	80	0.0005	0.013	1.438	36.53	0.709	18.00	9 1/2	80MS	1.59	0.721	4500	19900	8300	36800
W208PPB5	1-1	1 1/8	28.6	3.1496	80	0.0005	0.013	1.438	36.53	0.709	18.00	9 1/2	80MS	1.47	0.667	4500	19900	8300	36800
W209PPB5	1-2	1 1/4	31.8	3.3465	85	0.0006	0.015	1.438	36.53	1.188	30.18	9 1/2	85MS	1.75	0.794	4550	20200	8300	36800
W210PPB4	2-	1 1/8	28.6	3.5433	90	0.0006	0.015	1.188	30.18	1.188	30.18	10 1/2	90MS	2.11	0.957	5200	23000	9000	39900
W210PPB6	1-	1 1/8	28.6	3.5433	90	0.0006	0.015	1.438	36.53	1.188	30.18	10 1/2	90MS	2.25	1.021	5200	23000	9000	39900
W211PPB3	2-2	1 1/2	38.1	3.9370	100	0.0006	0.015	1.312	33.34 ⁽¹⁾	1.312	33.34	10 3/8	100MS	2.66	1.207	6550	29000	11000	48800

⁽¹⁾ Inner and outer width tolerance is .000" to -.006" (.00mm to -.15mm)

Tri-Ply Seal Series Relubricatable Type

These Tri-Ply Seal bearings are similar in design and features to those shown on the preceding two pages and have a provision for relubrication.

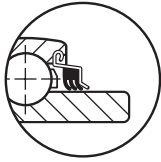


Figure 1

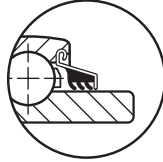


Figure 2

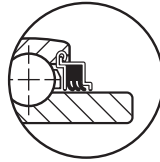
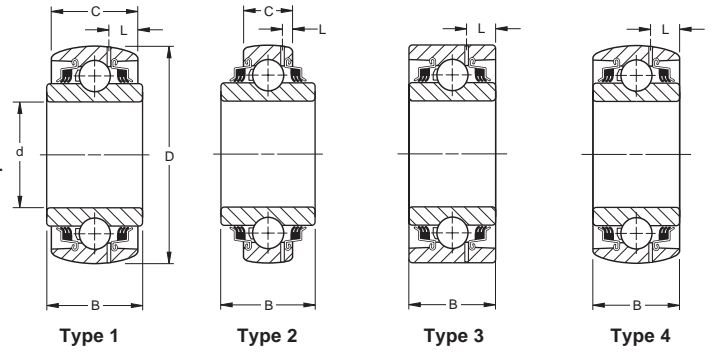


Figure 3



ROUND BORE

Bearing Number	Type-Fig.	Bore d				Outside Diameter D				Ring Width				Balls No. size	L	Wt.	Static Load Rating C ₀		Extended Dynamic Load Rating C _E				
		tolerance +0.0000* +0.000 mm to minus		tolerance +0.0000* +0.000 mm to minus		+0.000, -0.005* +0.000, -0.12 mm		B Inner		C Outer		lbs.	N				lbs.	N					
		in.	mm	in.	mm	in.	mm	in.	mm	in.	mm	in.	mm	in.	mm	lbs.	kg	lbs.	N	lbs.	N		
GW209PPB4	4-2	1.5350	39.00	0.0100	0.250	3.3465	85	0.0006	0.015	1.188	30.18	1.188	30.18	9	½	0.346	8.79	1.65	0.748	4550	20200	8300	36800
GW209PPB2	4-2	1.7717	45.00	0.0005	0.013	3.3465	85	0.0006	0.015	1.188	30.18	1.188	30.18	9	½	0.346	8.79	1.44	0.653	4550	20200	8300	36800
GW209PPB11	2-2	1.7810	45.24	0.0100	0.250	3.3465	85	0.0006	0.015	1.438	36.53	0.866	22.00	9	½	0.179	4.55	1.37	0.621	4550	20200	8300	36800
GW210PP3	3-	1.4065	37.53	0.0005	0.013	3.5433	90	0.0006	0.015	1.188	30.18	1.188	30.18	10	½	0.355	9.02	2.25	1.021	5200	23000	9000	39900
GW210PPB5	4-	1.7850	45.34	0.0100	0.250	3.5433	90	0.0006	0.015	1.188	30.18	1.188	30.18	10	½	0.355	9.02	1.75	0.794	5200	23000	9000	39900
GW210PPB2	4-	1.9380	49.23	0.0005	0.013	3.5433	90	0.0006	0.015	1.188	30.18	1.188	30.18	10	½	0.355	9.02	1.5	0.68	5200	23000	9000	39900
GW210PP9 ⁽¹⁾	2-	1.9450	49.40	0.0070	0.180	3.5433	90	0.0006	0.015	1.438	36.53	0.906	23.00	10	½	0.185	4.70	1.75	0.794	5200	23000	9000	39900
GW211PPB13	2-2	1.7850	45.34	0.0100	0.250	3.9370	100	0.0006	0.015	1.312	33.34 ⁽²⁾	0.984	25.00	10	⅞	0.299	5.82	2.02	0.916	6550	29000	11000	48800
GW211PPB10	4-2	1.9380	49.23	0.0006	0.015	3.9370	100	0.0006	0.015	1.312	33.34 ⁽²⁾	0.312	33.34	10	⅞	0.392	9.96	2.26	1.025	6550	29000	11000	48800
GW211PPB14	2-2	2.0150	51.18	0.0100	0.250	3.9370	100	0.0006	0.015	1.312	33.34 ⁽²⁾	0.984	25.00	10	⅞	0.229	5.82	2	0.907	6550	29000	11000	48800
GW211PP2	3-2	2.1880	55.58	0.0006	0.015	3.9370	100	0.0006	0.015	1.312	33.34 ⁽²⁾	1.312	33.34	10	⅞	0.392	9.96	3	1.361	6550	29000	11000	48800
GW211PPB2	4-2	2.1880	55.58	0.0006	0.015	3.9370	100	0.0006	0.015	1.312	33.34 ⁽²⁾	1.312	33.34	10	⅞	0.392	9.96	2.62	1.188	6550	29000	11000	48800
GW211PPB8	2-2	2.1880	55.58	0.0006	0.015	3.9370	100	0.0006	0.015	1.312	33.34 ⁽²⁾	0.984	25.00	10	⅞	0.229	5.82	1.85	0.839	6550	29000	11000	48800
GW211PPB9	2-2	2.1950	55.75	0.0070	0.180	3.9370	100	0.0006	0.015	1.562	39.69 ⁽²⁾	0.984	25.00	10	⅞	0.213	5.41	2.02	0.916	6550	29000	11000	48800
GW214PPB6	2-	2.6881	68.28	0.0006	0.015	4.9213	125	0.0008	0.020	2.688	68.26 ⁽²⁾	1.102	28.00	10	1 1/16	0.218	5.54	4.75	2.155	9800	43500	16000	71000
GW214PP2	3-	2.7559	70.00	0.0006	0.015	4.9213	125	0.0008	0.020	1.562	39.69 ⁽²⁾	1.562	39.69	10	1 1/16	0.414	10.52	4.19	1.901	9800	43500	16000	71000
GW214PPB2	4-	2.7559	70.00	0.0006	0.015	4.9213	125	0.0008	0.020	1.562	39.69 ⁽²⁾	1.562	39.69	10	1 1/16	0.414	10.52	3.96	1.796	9800	43500	16000	71000
GW214PPB5	1-	2.7559	70.00	0.0006	0.015	4.9213	125	0.0008	0.020	2.438	61.90 ⁽²⁾	1.562	39.69	10	1 1/16	0.414	10.52	4.75	2.155	9800	43500	16000	71000
GW216PPB3	2-3	3.0100	76.45	0.0100	0.250	5.5118	140	0.0008	0.020	2.500	63.50 ⁽²⁾	1.181	30.00	11	2 3/32	0.240	6.10	—	—	12200	54000	18300	81000
GW216PP5	3-3	2.5150	63.88	0.0100	0.250	5.5118	140	0.0008	0.020	2.500	63.50 ⁽²⁾	1.181	30.00	11	2 3/32	0.240	6.10	—	—	12200	54000	18300	81000

SQUARE BORE

Bearing Number	Type-Fig.	Shaft Size		Outside Diameter D				Ring Width				Balls No. size	L	Wt.	Static Load Rating C ₀		Extended Dynamic Load Rating C _E				
		in.	mm	tolerance +0.0000* +0.000 mm to minus		tolerance +0.0000* +0.000 mm to minus		+0.000, -0.005* +0.000, -0.12 mm		B Inner					C Outer		lbs.	N	lbs.	N	
				in.	mm	in.	mm	in.	mm	in.	mm	in.	mm	in.	mm	lbs.	kg	lbs.	N	lbs.	N
GW208PPB6	2-1	1	25.4	3.1496	80	0.0005	0.013	1.438	36.53	0.827	21.00	9	½	0.223	5.66	1.75	0.794	4500	19900	8300	36800
GW208PPB5	2-1	1 1/8	28.6	3.1496	80	0.0005	0.013	1.438	36.53	0.827	21.00	9	½	0.223	5.66	1.47	0.667	4500	19900	8300	36800
GW208PPB8	1-1	1 1/8	28.6	3.1496	80	0.0005	0.013	1.438	36.53	1.188	30.18	9	½	0.329	8.36	1.75	0.794	4500	19900	8300	36800
GW208PPB17	3-1	1 1/8	28.6	3.3755	85.738	0.0005	0.013	1.438	36.53	1.188	30.18	9	½	0.326	8.28	20.4	0.925	4500	19900	8300	36800
GW209PPB5	1-2	1 1/4	31.8	3.3456	85	0.0006	0.015	1.438	36.53	1.188	30.18	9	½	0.346	8.79	1.75	0.794	4550	20200	8300	36800
GW209PPB8	2-2	1 1/4	31.8	3.3456	85	0.0006	0.015	1.438	36.53	0.866	22.00	9	½	0.179	4.55	1.65	0.748	4550	20200	8300	36800
GW210PP4	3-	1 1/8	28.6	3.5433	90	0.0006	0.015	1.188	30.18	1.188	30.18	10	½	0.355	9.02	2.31	1.048	5200	23000	9000	39900
GW210PPB4	4-	1 1/8	28.6	3.5433	90	0.0006	0.015	1.188	30.18	1.188	30.18	10	½	0.355	9.02	1.75	0.794	5200	23000	9000	39900
GW211PP3	3-2	1 1/2	38.1	3.9370	100	0.0006	0.015	1.312	33.34 ⁽²⁾	1.312	33.34	10	⅞	0.392	9.96	2.79	1.266	6550	29000	11000	48800
GW211PPB3	4-2	1 1/2	38.1	3.9370	100	0.0006	0.015	1.312	33.34 ⁽²⁾	1.312	33.34	10	⅞	0.392	9.96	2.66	1.207	6550	29000	11000	48800
GW211PP17	3-2	1 1/2	38.1	3.9370	100	0.0006	0.015	1.75	44.45 ⁽²⁾	1.312	33.34	10	⅞	0.392	9.96	2.62	1.188	6550	29000	11000	48800
GW214PPB4	4-	2	50.8	4.9213	125	0.0008	0.020	1.562	39.69 ⁽²⁾	1.562	39.69	10	1 1/16	0.414	10.52	4.75	2.155	9800	43500	16000	71000
GW216PPB4	2-3	1 1/4	44.4	5.5118	140	0.0008	0.020	2.5	63.50 ⁽²⁾	1.181	30.00	11	2 3/32	0.240	6.1	—	—	12200	54000	18300	81000
GW216PP2 ⁽¹⁾	2-3	2 1/4	57.2	5.5118	140	0.0008	0.020	2.5	63.50 ⁽²⁾	1.181	30.00	11	2 3/32	0.240	6.1	—	—	12200	54000	18300	81000
GW216PPB2	2-3	2 1/4	57.2	5.5118	140	0.0008	0.020	2.5	63.50 ⁽²⁾	1.181	30.00	11	2 3/32	0.240	6.1	—	—	12200	54000	18300	81000

⁽¹⁾ Cylindrical O.D.

⁽²⁾ Inner and outer width tolerance is .000* to -.006* (.00mm to -.15mm).

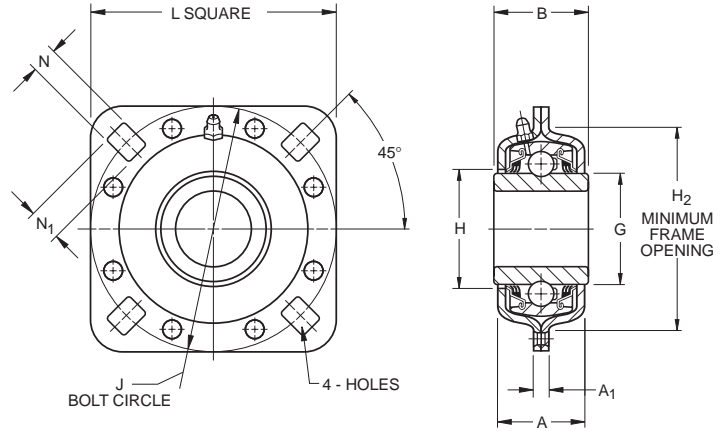


Tri-Ply Series Disk Harrow Units

The disk harrow unit is the answer to versatility in design. For extra special design needs this unit incorporates a Tri-Ply bearing mounted in two stampings, riveted together with two "O" rings.

The disk harrow unit is available in two basic size groups, one incorporating a 209 and one a 211 bearing. Both size groups offer these outstanding features.

- Dynamic alignment capability ($\pm 3^\circ$).
- Shroud effect from close clearance of stamping to inner ring.
- Relubrication.
- One unit piece for ease of handling and assembly.
- Fitting flange mates with outer ring milled recess, preventing possibility of outer ring circumferential movement.
- Stampings are case hardened to minimize wear.
- Units are equipped with nylon retainer, molded one-piece seals and patented notched outer ring seal grooves.



209 SERIES

Unit Number	Shaft Diam.	B	H ₂	J	N ₁	N	L	G Ref.	H	A	A ₁	Static Load Rating C ₀	Extended Dynamic Load Rating C _E
	in.	in.	in.	in.	in.	in.	in.	in.	in.	in.	in.	lbs	lbs
DHU 1½ R-209	1 ½ RD.	1 11/16	4	5	2 1/32	1 7/32	5	2.279	2 23/64	1 43/64	1 7/64	4000	8150
DHU 1½ S-209	1 ½ SQ.	1 11/16	4	5	2 1/32	1 7/32	5	2.279	2 23/64	1 43/64	1 7/64	4000	8150
DHU 1¾ R-209	1 ¾ RD.	1 11/16	4	5	2 1/32	1 7/32	5	2.279	2 23/64	1 43/64	1 7/64	4000	8150
DHU 1¾ S-209	1 ¾ SQ.	1 ¾	4	5	2 1/32	1 7/32	5	2.279	2 23/64	1 43/64	1 7/64	4000	8150
DHU 491 A	1 ¾ RD.	1 ¾	4	5	2 1/32	1 7/32	5	2.279	2 23/64	1 43/64	1 7/64	4000	8150

211 SERIES

DHU 1½ S-211	1 ½ SQ.	2	4	5 ½	1 9/32	1 17/32	5 ½	2.746	2 7/8	1 15/16	1 9/64	5600	10800
DHU 1¾ R-211	1 ¾ RD.	2 7/8	4	5 ½	1 9/32	1 17/32	5 ½	2.746	2 7/8	1 15/16	1 9/64	5600	10800
DHU 2¾ R-211	2 ¾ RD.	2 7/8	4	5 ½	1 9/32	1 17/32	5 ½	2.746	2 7/8	1 15/16	1 9/64	5600	10800

209 METRIC SERIES

Unit Number	Shaft Diam.	B	H ₂	J	N ₁	N	L	G Ref.	H	A	A ₁	Static Load Rating C ₀	Extended Dynamic Load Rating C _E
	mm	mm	mm	mm	mm	mm	mm	mm	mm	mm	mm	N	N
DHU 30S-209	30 SQ.	43	101.6	127	16.7	13.5	127	57.9	59.9	42.5	6.7	18000	36500
DHU 40R-209	40 SQ.	43	101.6	127	16.7	13.5	127	57.9	59.9	42.5	6.7	18000	36500
DHU 45R-209	45 RD.	43	101.6	127	16.7	13.5	127	57.9	59.9	42.5	6.7	18000	36500

211 METRIC SERIES

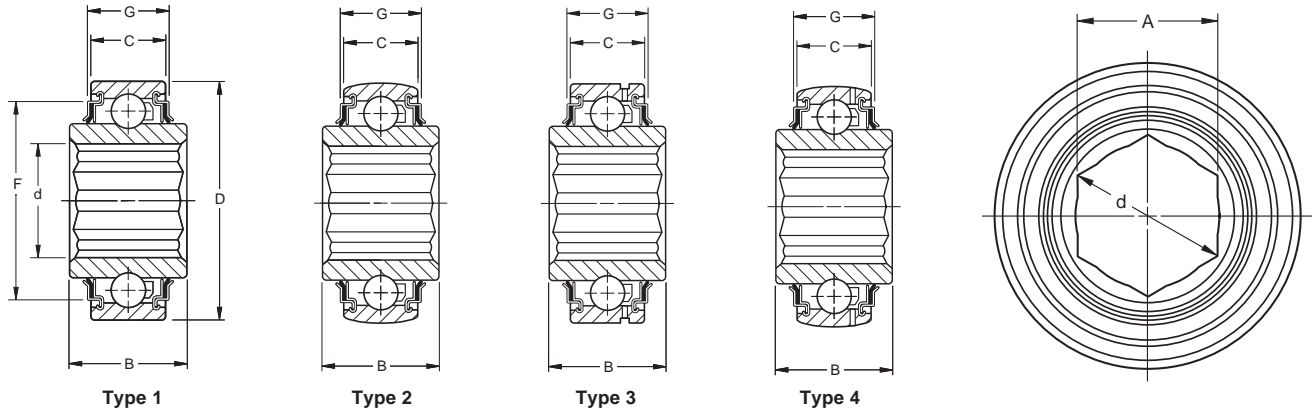
DHU 40S-211	40 SQ.	51	113.5	139.7	15.1	13.5	139.7	69.7	73	49.2	7.5	25000	48000
DHU 50R-211	50 RD.	51	113.5	139.7	15.1	13.5	139.7	69.7	73	49.2	7.5	25000	48000
DHU 55R-211	55 RD.	51	113.5	139.7	15.1	13.5	139.7	69.7	73	49.2	7.5	25000	48000

Hex Bore Series

This series is designed to be used either for outer or inner ring rotation in low speed, moderately loaded applications, primarily in agricultural implements and conveyors. The main advantage of these bearings is ease of mounting; except for end-wise positioning by adjacent parts,

no collars, setscrews or other locking devices are required to lock the inner ring to the hex shaft. The tolerances of the hex bore in this series are suitable for mounting on cold rolled hex shafting.

These bearings utilize the R type shroud seal.



Bearing Number	Type	Hex Shaft Size	A		Hex Bore d		Outside Diameter D		Width		F		G		Balls No. size	Wt in. lbs. kg	Static Load Rating C ₀		Extended Dynamic Load Rating C _E	
			in.	mm	in.	mm	in.	mm	in.	mm	in.	mm	in.	mm			in.	mm	in.	mm

NON-RELUBRICATABLE TYPE

202KRR3	1	5/16	0.563	14.30	0.005	0.13	0.648	16.46	1.3780	35	0.0005	.013	0.433	11	0.512	13	—	—	—	—	8	7/32	0.12	0.054	1000	4400	2360	10600
204KRR2	1	1/8	0.695	17.65	0.005	0.13	0.796	20.22	1.8504	47	0.0005	.013	0.551	14	0.825	20.96	—	—	—	—	8	7/16	0.32	0.145	1400	6200	3200	14300
205KRR2	1	7/16	0.876	22.25	0.005	0.13	1.010	25.65	2.0472	52	0.0005	.013	0.591	15	1.000	25.4	—	—	—	—	9	7/16	0.44	0.2	1560	6950	3450	15600
205KRRB2	2	7/16	0.876	22.25	0.005	0.13	1.010	25.65	2.0472	52	0.0005	.013	0.591	15	1.000	25.4	—	—	—	—	9	7/16	0.44	0.2	1560	6950	3450	15600
205PPB13 ⁽¹⁾	2	7/16	0.876	22.25	0.005	0.13	1.010	25.65	2.0472	52	0.0005	.013	0.591	15	1.000	25.4	1.680	42.67	0.795	20.19	9	7/16	0.44	0.2	1560	6950	3450	15600
206KPP3 ⁽¹⁾	1	1	1.001	25.43	0.005	0.13	1.154	29.31	2.4409	62	0.0005	.013	0.630	16	0.945	24	2.050	52.07	0.770	19.56	9	7/8	0.76	0.345	2280	10000	4800	21600
206KPPB3 ⁽¹⁾	2	1	1.001	25.43	0.005	0.13	1.154	29.31	2.4409	62	0.0005	.013	0.630	16	0.945	24	2.050	52.07	0.770	19.56	9	7/8	0.76	0.345	2280	10000	4800	21600
206KRR6	1	1	1.001	25.43	0.005	0.13	1.154	29.31	2.4409	62	0.0005	.013	0.630	16	0.945	24	2.050	52.07	0.770	19.56	9	7/8	0.75	0.34	2280	10000	4800	21600
206KRRB6	2	1	1.001	25.43	0.005	0.13	1.154	29.31	2.4409	62	0.0005	.013	0.630	16	0.945	24	2.050	52.07	0.770	19.56	9	7/8	0.75	0.34	2280	10000	4800	21600
207KPP3	1	1 1/4	1.251	31.77	0.005	0.13	1.433	36.40	2.8346	72	0.0005	.013	0.669	17	1.484	37.7	2.376	60.35	0.775	19.68	9	7/16	1	0.454	3050	13700	6400	28500
207KPPB3	2	1 1/4	1.251	31.77	0.005	0.13	1.433	36.40	2.8346	72	0.0005	.013	0.669	17	0.984	25	2.376	60.35	0.775	19.68	9	7/16	0.87	0.395	3050	13700	6400	28500
207KRRB9	2	1 1/8	1.126	28.60	0.005	0.13	1.298	32.97	2.8346	72	0.0005	.013	0.669	17	1.484	37.7	2.376	60.35	0.775	19.68	9	7/16	1	0.454	3050	13700	6400	28500
207KRRB12	2	1 1/8	1.126	28.60	0.005	0.13	1.298	32.97	2.8346	72	0.0005	.013	0.669	17	0.984	25	2.376	60.35	0.775	19.68	9	7/16	0.87	0.395	3050	13700	6400	28500
207KRR17	1	1 1/4	1.251	31.77	0.005	0.13	1.443	36.65	2.8346	72	0.0005	.013	0.669	17	0.984	25	2.376	60.35	0.775	19.68	9	7/16	0.87	0.395	3050	13700	6400	28500
207KRRB17	2	1 1/4	1.251	31.77	0.005	0.13	1.443	36.65	2.8346	72	0.0005	.013	0.669	17	0.984	25	2.376	60.35	0.775	19.68	9	7/16	0.87	0.395	3050	13700	6400	28500
W208PPB16 ⁽¹⁾	2	1 1/4	1.251	31.77	0.005	0.13	1.443	36.65	3.1496	80	0.0005	.013	0.709	18	1.438	36.53	2.694	68.43	0.995	25.27	9	1/2	1.45	0.658	4000	17600	8150	36000
W208KRRB6	2	1 3/8	1.376	34.95	0.005	0.13	1.587	40.30	3.1496	80	0.0005	.013	0.827	21	1.438	36.53	2.694	68.43	0.927	23.54	9	1/2	—	—	4000	17600	8150	36000
W208KRR8	1	1 1/4	1.251	31.77	0.005	0.13	1.443	36.65	3.1496	80	0.0005	.013	0.709	18	1.438	36.53	2.694	68.43	0.805	20.45	9	1/2	1.45	0.658	4000	17600	8150	36000
209KRRB2	2	1 1/2	1.501	38.12	0.005	0.13	1.732	43.99	3.3456	85	0.0006	0.015	0.748	19	1.181	30	2.908	73.86	0.916	23.27	9	1/2	1.27	0.576	4000	17600	8150	36000
W210PPB7 ⁽¹⁾	2	1 3/8	1.626	41.30	0.005	0.13	1.876	47.65	3.5433	90	0.0006	0.015	1.188	30.18	1.188	30.18	—	—	—	—	10	1/2	1.75	0.794	4500	19600	8800	39000

RELUBRICATABLE TYPE

G206KPP4 ⁽¹⁾	3	1	1.001	25.43	0.005	0.13	1.152	29.26	2.4409	62	0.005	.013	0.709	18	0.945	24	—	—	—	—	9	7/8	0.62	0.281	2280	10000	4800	21600
G206KPPB4 ⁽¹⁾	4	1	1.001	25.43	0.005	0.13	1.152	29.26	2.4409	62	0.005	.013	0.709	18	0.945	24	2.050	52.07	0.770	19.56	9	7/8	0.61	0.277	2280	10000	4800	21600
G206KRRB6	4	1	1.001	25.43	0.005	0.13	1.152	29.26	2.4409	62	0.005	.013	0.709	18	0.945	24	2.050	52.07	0.770	19.56	9	7/8	0.59	0.268	2280	10000	4800	21600
G207KPPB2 ⁽¹⁾	4	1 1/8	1.126	28.60	0.005	0.13	1.298	32.97	2.8346	72	0.005	.013	0.748	19	1.484	37.7	2.375	60.32	1.000	25.40	9	7/16	1	0.454	3050	13700	6400	28500
GW208KRRB5	4	1 1/4	1.251	31.77	0.005	0.13	1.443	36.65	3.1496	80	0.005	.013	0.827	21	1.438	36.51	2.694	60.35	0.883	22.43	9	1/2	1.4	0.635	4000	17600	8150	36000
GW208PPB22 ⁽¹⁾	2	1 1/4	1.255	31.88	0.005	0.13	1.447	36.75	3.1496	80	0.005	.013	0.827	21	1.438	36.51	2.050	52.07	1.115	28.32	9	1/2	1.5	0.68	4000	17600	8150	36000
GC1200KPPB2 ⁽¹⁾	1 3/4	1 3/4	1.751	44.48	0.005	0.13	2.020	51.31	3.9370	100	0.0006	0.015	0.984	25 ⁽²⁾	2.250	57.15	3.390	86.11	1.142	29.01	10	7/16	3.35	1.52	4500	19600	8800	39000

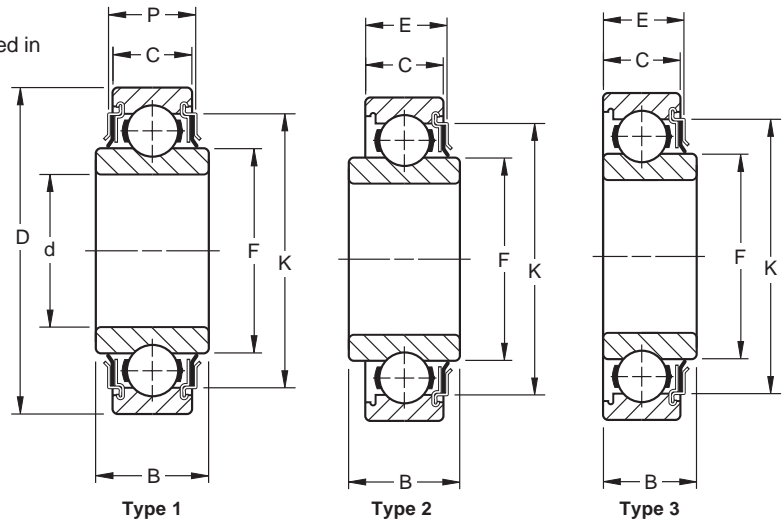
⁽¹⁾ Tri-Ply Seal bearing.

⁽²⁾ Inner and outer ring tolerance is .000" to -.006" (.00mm to -.15mm).



Light 200 Series R-Seal Type

The 200 series R-Seal type consists of deep groove, Conrad-type bearings which incorporate a flare-out, contact R Seal. In this design a synthetic rubber impregnated washer is enclosed between two metal shields to give unsurpassed protection against contaminants. Because of the heavy contact seal, this series is normally employed in moderate speed service.



Bearing Number	Type	Bore d				Outside Diameter D				Width		E	P	K Radius ⁽¹⁾	Fillet	F	Static Load Rating C ₀	Extended Dynamic Load Rating C _E									
		tolerance +0.0000"	+0.000 mm to minus	tolerance +0.0000"	+0.000 mm to minus	B Inner	C Outer	Max.	Max.	Max.	in.								mm	in.	mm	in.	mm	lbs.	N	lbs.	N
203KR2	3	0.6253	15.883	0.0003	0.008	1.5748	40	0.0005	0.013	0.551	14.00	0.472	12	—	—	—	—	—	0.024	0.6	0.962	24.44	1060	4700	2450	10900	
203KRR2	1	0.6400	16.256	0.0050	0.130	1.5748	40	0.0005	0.013	0.720	18.29	0.472	12	—	—	—	—	—	0.024	0.6	0.962	24.44	1060	4700	2450	10900	
203KRR5	1	0.5150	13.081	0.0050	0.130	1.5748	40	0.0005	0.013	0.720	18.29	0.472	12	—	—	—	—	—	0.024	0.6	0.962	24.44	1060	4700	2450	10900	
203KRR7	1	0.6693	17	0.0003	0.008	1.5748	40	0.0005	0.013	0.654	16.61	0.472	12	—	—	—	—	—	0.024	0.6	0.962	24.44	1060	4700	2450	10900	
204KR2	3	0.7505	19.063	0.0005	0.013	1.7805	45.225	0.0005	0.013	0.610	15.49	0.61	15.49	—	—	—	—	—	0.039	1	1.131	28.73	1460	6500	3250	14400	
204KRR3	1	0.7874	20	0.0004	0.010	1.8504	47	0.0005	0.013	0.699	17.75	0.551	14	—	—	—	—	—	0.039	1	1.131	28.73	1460	6500	3250	14400	
205KR4	2	1.0005	25.413	0.0005	0.013	2.0472	52	0.0005	0.013	1.000	25.40	0.591	15	0.625	15.875	—	—	1.68	42.67	0.039	1	1.331	33.81	1760	7800	3600	16000
206KR7	2	1.1811	30	0.0004	0.010	2.4409	62	0.0005	0.013	0.945	24.00	0.63	16	0.700	17.78	—	—	2.05	52.07	0.039	1	1.586	40.28	2550	11300	4900	21800
206KRR8	1	1.1811	30	0.0004	0.010	2.4409	62	0.0005	0.013	0.945	24.00	0.63	16	—	—	0.77	19.56	2.05	52.07	0.039	1	1.539	39.09	2250	11300	4900	21800
207KRR	1	1.3780	35	0.0005	0.013	2.8346	72	0.0005	0.013	0.984	25.00	0.669	17	—	—	0.775	19.68	2.376	60.35	0.039	1	1.848	46.94	3450	15000	6550	29000
208KRR2	1	1.5748	40	0.0005	0.013	3.1496	80	0.0005	0.013	1.063	27.00	0.827	21	—	—	0.839	21.31	2.695	68.45	0.039	1	2.057	52.25	4500	20000	8300	36900
209KRR3	1	1.7717	45	0.0005	0.013	3.3465	85	0.0005	0.013	1.063	27.00	0.827	21	—	—	0.952	24.18	2.851	72.42	0.039	1	2.279	57.89	4550	20000	8300	36900
210KRR	1	1.9685	50	0.0005	0.013	3.5433	90	0.0006	0.015	1.181	30.00	0.787	20	—	—	0.946	24.03	3.055	77.6	0.039	1	2.473	62.81	5200	32100	9000	40000
212KRR	1	2.3622	60	0.0006	0.015	4.3307	110	0.0006	0.015	1.417	36.00 ⁽²⁾	0.886	22	—	—	1.182	30.02	3.932	99.87	0.039	1	3.01	76.45	8000	35500	13200	58600

⁽¹⁾ Maximum shaft or housing fillet radius which bearing corners will clear.
⁽²⁾ Inner and outer width tolerance is .000" to .0006" (.00mm to -.15mm).

Farm Radial Specials

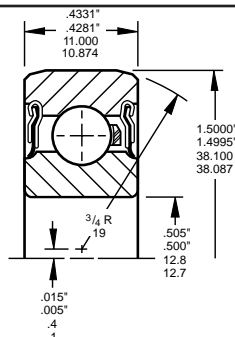
Bearing Number 202NPP9

Special Features

- ½ in. Bore
- O.D. corner turned to a ¾ in. radius
- Special heavy stiff seals of Buna-N rubber
- Crimped-in seal

Typical Applications

Cam Follower



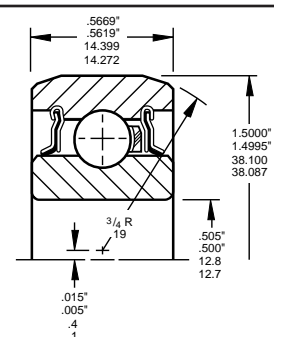
Bearing Number 202KRR7

Special Features

- ½ in. Bore
- 1½ in. O.D.
- Thick outer ring

Typical Applications

Cam Follower





Farm Radial Specials (continued)

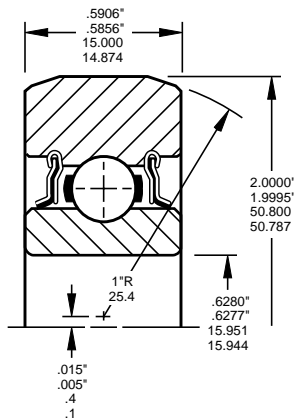
Bearing Number 203KRR3

Special Features

- 5/8 in. Bore
- 2 in. O.D.
- Thick outer ring

Typical Applications

Cam Follower
Guide Rolls for Baler Plunger



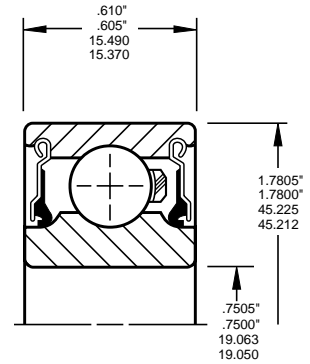
Bearing Number P204RR6

Special Features

- 3/4 in. Bore
- 1.7805 in. O.D.
- Replaces 204KRNP2

Typical Applications

Mower Spindle



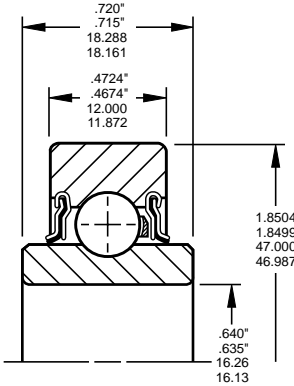
Bearing Number 203KRR6

Special Features

- 5/8 in. Bore
- 47 mm O.D.
- Thick outer ring

Typical Applications

Idler Pulley
Idler Sprocket



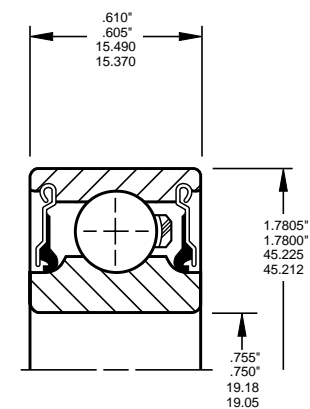
Bearing Number 204RR7

Special Features

- 3/4 in. Bore
- 1.7805 in. O.D.
- Replaces 204KRNP3

Typical Applications

Rolling Cultivator
Disk



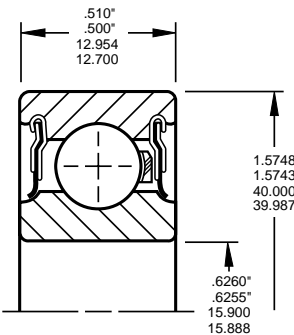
Bearing Number 203NPP9

Special Features

- 5/8 in. Bore
- Width .500"

Typical Applications

Disk Grain Drill



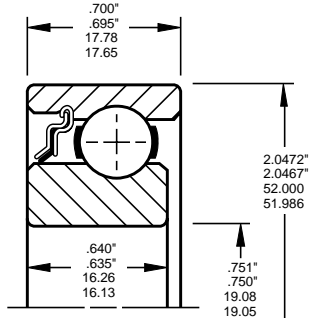
Bearing Number 205KR3

Special Features

- 3/4 in. Bore
- Excellent moment load capacity available from special internal geometry of races
- Heavy contact flare-out type R-Seal with shroud cap

Typical Applications

Disk Hiller
Planter



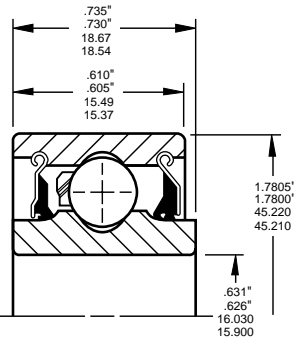
Bearing Number 204RY2

Special Features

- 5/8 in. Bore
- Gothic Arch Race

Typical Applications

Planter
Double Disk Opener



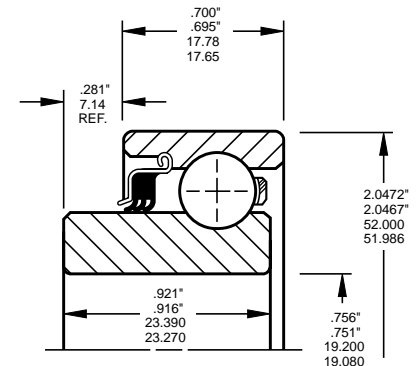
Bearing Number 205KP6

Special Features

- 3/4 in. Bore
- Tri-Ply Seal on one side with shroud cap

Typical Applications

Rolling Cultivator



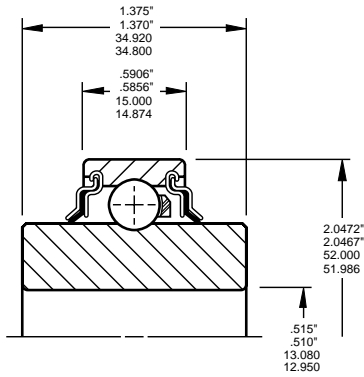


Farm Radial Specials (continued)

Bearing Number 205KRR6

- Special Features**
- 1/2 in. Bore
 - Extended inner ring

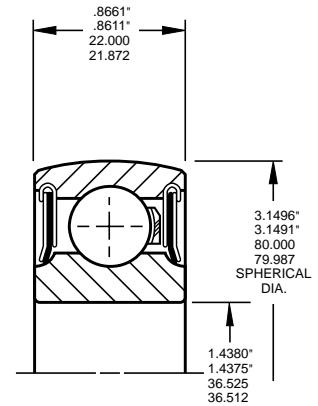
Typical Applications
Potato Harvester



Bearing Number 208NPPB5

- Special Features**
- 1 7/16 in. Bore
 - PP Seals with shroud cap

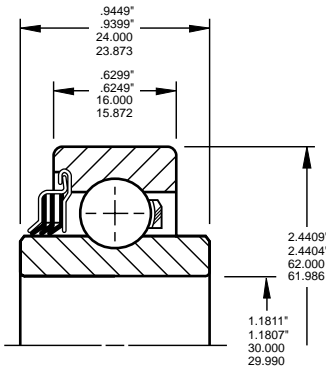
Typical Applications
Baler Crank Pin



Bearing Number 206KP2

- Special Features**
- Tri-Ply Seal on one side with shroud cap

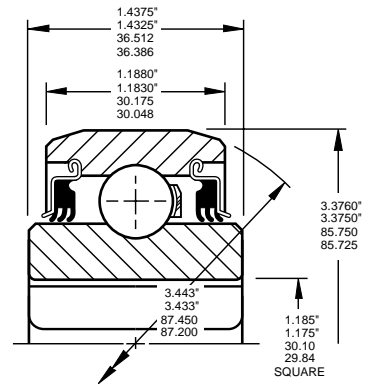
Typical Applications
Combine



Bearing Number 208PPB12

- Special Features**
- 1 1/8 in. Square Bore
 - Molded Tri-Ply seal
 - Heavy outer ring

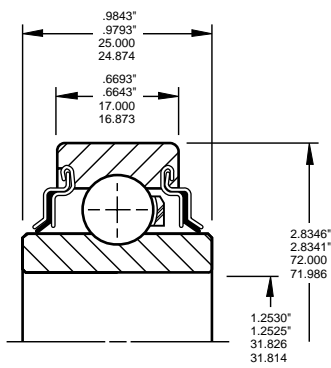
Typical Applications
Disk Harrow



Bearing Number 207KRR14

- Special Features**
- 1 1/4 in. Bore

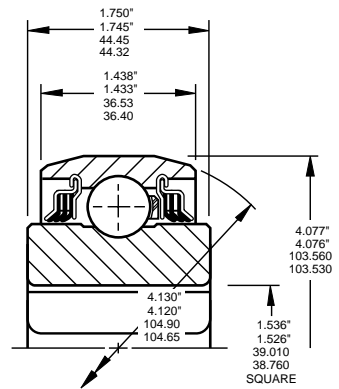
Typical Applications
Disk Harrow
Transport Wheel



Bearing Number W211PPB6

- Special Features**
- 1 1/2 in. Square Bore
 - Tri-Ply seal with shroud cap
 - Heavy outer ring

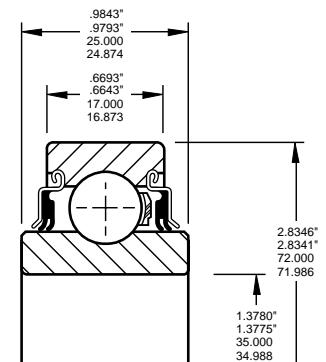
Typical Applications
Disk Harrow



Bearing Number 207KYY

- Special Features**
- Molded double lip seal

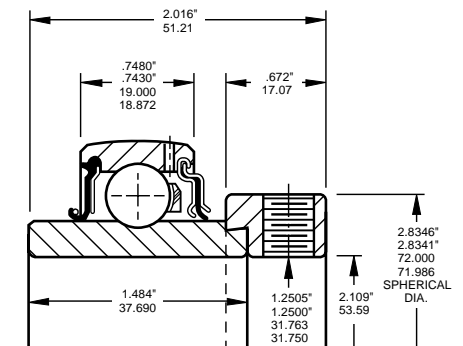
Typical Applications
Disk Harrow
Transport Wheel



Bearing Number G1104KRXB2

- Special Features**
- Oil Seal on one side

Typical Applications
Chain Case



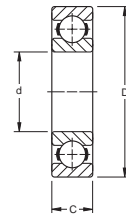
Special Bearings

Size	Special Features	Typical Application	Major OEM User	Size	Special Features	Typical Application	Major OEM User
200KRR3	Inner Ring Width .6457/.6407 One piece molded seals	Windrower	Lockwood	205PP12	5/8" Bore Inner Width 1.500/1.495 Tri-Ply Seals	Cone Roller, Beet and Potato Harvester	Lockwood
J202KRR8	Extended Inner Width .880/.875	Tobacco Harvester	Harrington	205PP13	7/8" Hex Bore Inner Width 1.000/ .995 Tri-Ply Seals	Corn Head Mechanism	Allis Chalmers
202NPP9	1/2" Bore-O.D. corner turned to 3/4" radius	Baler Cam Foller	Gehl	206KRD	Offset Rings Inner Width .748/.743 Outer Width .6299/.6249 "R" Seal on extended inner side	Combine	John Deere
P202NPP11	Extra Wide Inner .5669/.5619 Bore 16mm .6299/.6296	Cam Follower	Harrington	206KP2	Tri-Ply Seal one side Wide Inner Ring .9449/.9399	Combine	John Deere
P203KRR3	5/8" Bore 2" O.D. Heavy section outer ring	Cam Follower Guide Rolls for Baler Plunger	New Holland	206KPP2	Tri-Ply Seals Wide Inner Ring .9449/.9399	Forrage Harvester	Hesston
203KRR6	5/8" Bore 47mm O.D. Heavy section outer ring	Baler Pick—up	Vermeer	H206KRP2 A1391	3/4" Bore Wide Inner Ring .9449/ .9399 Extended on "R" seal side	Disk Hiller and Bedders	Cole
203NPP9	5/8" Bore .500" width	Disk Grain Drill Opener	John Deere	206KPPB3	1" Hex Bore Tri-Ply Seals Inner Ring Width .9449/.9399	Disk Harrow	IHC
P203PP10	.6255/.6260" Bore	Light Duty Disk Applications	Kenneco	206KRR4	Large Inner Ring Bore Corner to clear .090 R Shaft Fillet	Drive Shaft Bearing	Ace Pump
BB203KRR2 A2139	Wide Inner .720/.715 Bore .6400/ .6350 Gothic arch races	Rotary Hoe	John Deere	206KRRB3	1 1/8" Bore Flare out type "R" Seal with Shroud Cap	Corn Picker Snapping Rolls	John Deere
P204KR2	Bore .7505/.7500 Width .610/.605 O.D. 1.7805/1.7800	Rotary Lawn Tractor Blade Spindle Bearing	Howard	206KRRB9	1" Bore Inner Width .9450/.9400	Planter	White
204KRD4	5/8" Bore extended inner "R" Seal side .689/.685	Disk Opener Seed Drill	Tye Co.	206KRR13	3/4" Bore	Idler Sprocket Bearing for round Baler	New Holland
204KRN5	Bore .631/.626 Extended Inner Width 1.125/1.120	Planter Opener Wheels	Orthman	207KRR3	Large Inner Ring Bore Corner to clear .090 R Shaft Fillet	Trencher	Charles Machine
P204KRRB5	Bore .793/.788 Inner Width .6988/.6938	Row Crop Machine	New Holland	207KRR8	Large Inner Ring Bore Corner to clear .090 R Shaft Fillet Narrow Inner .8499/.8399"	Baler	Hesston
204RR6 E8728	Ground Bore .7505/.7500 Width .610 O.D. 1.7805 Extra loose radial play. Replaces 204KRN2 E8728	Planter Guage Wheels	John Deere	P207KRRB10	1 1/8" Bore Flare out type "R" Seal with Shroud Cap	Corn Picker Snapping Rolls	John Deere
P204RR6	Same as above except standard radial play. Replaces 204KRN2	Garden Tractor Mower Spindle	John Deere	207KRR12	1 1/8" Hex Bore	Forage Harvester	John Deere
H204KRN6	Bore, O.D., Width same as P204KR2	Planter	White	P207KRNBP13	Bore 1.2505/1.2500 Extended Inner 1.000/.945 on R Seal Side	Corn Picker Gathering Chain	Avco New Idea
204RR7 E8728	3/4" Bore 1.7805 O.D. .610 Width Extra loose radial play. Replaces 204KRN2 E8728	Rolling Cultivator Disk Sprockets, Pulleys and Disk Opener	Lilliston	207KRR14	Bore 1.2530/1.2525	Disk Harrow Transport Wheel	John Deere
205NPP2	Inner Width .6594/.6544	Miscellaneous	John Deere	207KYY	Double Lip Seal	Disk Harrow Transport Wheel	John Deere
205KR3	3/4" Bore, Special Races, Heavy "R" Seal with Shroud Cap	Disk Hiller Planter and Cotton Picker	IHC	P208KRR4 A1849	Bore 1.5312/1.5307 Large Inner Ring Bore Corner to clear .090R Shaft Fillet	Clutch Shaft	Allis Chalmers
205KP6	3/4" Bore Tri-Ply seal on one side with shroud cap	Rolling Cultivator Coulter Bearing	Lilliston	208NPPB5	Bore 1.4380/1.4375 Plya Seals with Shroud Cap	Crank Pin for Square Baler	New Holland
205KRR6	1/2" Bore extended inner ring	Windrow Digger	Lockwood	209KRRB2	1 1/2" Hex Bore	Round Baler	New Holland
205KRR7	1/2" Bore 1.500/1.495 Extended Inner Ring with Offset race	Cone Roller Beet and Potato Harvester	Lockwood	304KR2	Offset Inner Ring with .7087/ .7037 Width	Tractor Water Pump	J.I. Case
205PPB7 FS544	1 5/16" Bore Tri-Ply Seals 1.375/ 1.3760 Inner Width	Rolling Cultivator	Lilliston	BB9105KRR2	1" Bore Inner Extended on one side with 1.000/.995 Width Two 17/64 dia. holes in Inner Ring 180° apart	Hay Rake	New Holland
G205KPRB11	7/8" Hex Bore, One "R" Seal and one Tri-Ply Seal Inner Width 1.000/.975	Corn Head Mechanism	Gehl	9113KDD3 FS264C	Cap Extends Past Inner Face on one side	PTO Drive	John Deere
205PP9 FS544	3/4" Bore Inner Width 1.3750/ 1.3700 Tri-Ply Seals	Cultivator	Kelley	9114KDD3 FS264C	Cap Extends Past Inner Face on one side	PTO Drive	John Deere
205PP10	5/8" Bore Inner Width 1.375/1.370 Tri-Ply Seals	Potato Harvester	FMC	9117K3	Bore 3.2500/3.2492 O.D. 5.000/4.9992	PTO Drive	John Deere
205PP11	1" Bore Inner Width 1.187/1.185 Tri-Ply Seals	Marker Wheel	Roll-A-Cone				



XLS/BIC Series – Conrad Type

The XLS bearings are essentially an inch dimension series with extra large diameters. They are of the Conrad or non-filling slot design. Their compact sections make them particularly adaptable in applications where space is restricted.

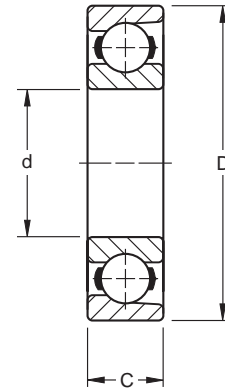


DIMENSIONS – TOLERANCES BIC SERIES XLS

Bearing Number	Bore d				Outside Diameter D				Width C				Fillet Radius ⁽¹⁾		Wt.		Static Load Rating C ₀		Extended Dynamic Load Rating C _E		
	in.	mm	tolerance +0.0000"	tolerance +0.0000 mm to minus	in.	mm	tolerance +0.0000"	tolerance +0.0000 mm to minus	in.	mm	in.	mm	tolerance +0.0000"	tolerance +0.0000 mm to minus	in.	mm	lbs.	kg	lbs.	N	lbs.
XLS44K	2.7500	69.850	0.0006	0.015	4.1250	104.775	0.0006	0.015	0.6875	17.460	0.005	0.13	0.047	1.2	0.99	0.449	4900	22000	6400	28500	
XLS48K2	3.0000	76.200	0.0006	0.015	4.5000	114.300	0.0006	0.015	0.7500	19.050	0.005	0.13	0.047	1.2	1.25	0.567	7500	33500	9800	44000	
XLS52K	3.2500	82.550	0.0008	0.020	4.7500	120.650	0.0008	0.020	0.7500	19.050	0.005	0.13	0.047	1.2	1.38	0.626	6700	30000	8000	35500	
XLS56K	3.5000	88.900	0.0008	0.020	5.0000	127.000	0.0008	0.020	0.7500	19.050	0.005	0.13	0.065	1.7	1.48	0.671	7100	31500	8150	36500	
XLS60K2	3.7500	95.250	0.0008	0.020	5.2500	133.350	0.0008	0.020	0.7500	19.050	0.005	0.13	0.063	1.6	1.57	0.712	7800	34500	8650	39000	
XLS64K2	4.0000	101.600	0.0008	0.020	5.6240	142.849	0.0010	0.025	0.8750	22.230	0.005	0.13	0.080	2.0	1.75	0.794	9500	41500	10600	47500	
41BIC196	4.1250	104.648	0.0008	0.020	6.0000	152.400	0.0010	0.025	0.8750	22.230	0.008	0.20	0.100	2.5	3.24	1.47	10600	47500	12500	55000	
42BIC196	4.2500	107.950	0.0008	0.020	6.0000	152.400	0.0010	0.025	0.8750	22.230	0.008	0.20	0.100	2.5	3.03	1.374	10600	47500	12500	55000	
43BIC206	4.3750	111.125	0.0008	0.020	6.2500	158.750	0.0010	0.025	0.8750	22.230	0.008	0.20	0.100	2.5	3.4	1.542	11400	51000	12900	57000	
XLS72KD2	4.5000	114.300	0.0008	0.020	6.2490	158.730	0.0010	0.025	0.8750	22.230	0.008	0.20	0.080	2.0	2.47	1.120	12000	54000	13400	60000	
45BIC206	4.5000	114.300	0.0008	0.020	6.2500	158.750	0.0010	0.025	0.8750	22.230	0.008	0.20	0.100	2.5	3.18	1.442	11400	51000	12900	57000	
46BIC216	4.6250	117.475	0.0008	0.020	6.5000	165.100	0.0010	0.025	0.8750	22.230	0.008	0.20	0.100	2.5	3.56	1.615	12000	54000	13200	58500	
47BIC216	4.7500	120.650	0.0010	0.025	6.5000	165.100	0.0010	0.025	0.8750	22.230	0.010	0.25	0.100	2.5	3.33	1.51	12700	57000	13700	61000	
48BIC225	4.8750	123.825	0.0010	0.025	7.0000	177.800	0.0010	0.025	1.0000	25.400	0.010	0.25	0.100	2.5	4.97	2.254	15000	65500	16600	75000	
XLS76K2	4.7500	120.650	0.0010	0.025	6.5000	165.100	0.0010	0.025	0.8750	22.230	0.010	0.25	0.065	1.7	2.55	1.157	12700	57000	13700	61000	
XLS80K2	5.0000	127.000	0.0010	0.025	6.9990	177.775	0.0010	0.025	1.0000	25.400	0.010	0.25	0.080	2.0	3.55	1.61	15000	67000	16300	72000	
50BIC225	5.0000	127.000	0.0010	0.025	7.0000	177.800	0.0010	0.025	1.0000	25.400	0.010	0.25	0.100	2.5	5.0	2.3	15000	65500	16600	75000	
51BIC240	5.1250	130.175	0.0010	0.025	7.2500	184.150	0.0012	0.030	1.0000	25.400	0.010	0.25	0.100	2.5	5.5	2.5	15600	69500	17300	76500	
52BIC240	5.2500	133.350	0.0010	0.025	7.2500	184.150	0.0012	0.030	1.0000	25.400	0.010	0.25	0.100	2.5	5.2	2.4	15600	69500	17300	76500	
53BIC247	5.3750	136.525	0.0010	0.025	7.5000	190.500	0.0012	0.030	1.0000	25.400	0.010	0.25	0.100	2.5	5.7	2.6	16600	75000	17600	80000	
55BIC247	5.5000	139.700	0.0010	0.025	7.5000	190.500	0.0012	0.030	1.0000	25.400	0.010	0.25	0.100	2.5	5.4	2.5	16600	75000	17600	80000	
56BIC251	5.6250	142.875	0.0010	0.025	7.7500	196.850	0.0012	0.030	1.0000	25.400	0.010	0.25	0.100	2.5	5.9	2.7	16600	75000	17600	80000	
57BIC251	5.7500	146.050	0.0010	0.025	7.7500	196.850	0.0012	0.030	1.0000	25.400	0.010	0.25	0.100	2.5	5.6	2.5	16600	75000	17600	80000	
58BIC258	5.8750	149.225	0.0010	0.025	8.0000	203.200	0.0012	0.030	1.0000	25.400	0.010	0.25	0.100	2.5	6.1	2.8	17300	78000	18000	81500	
60BIC258	6.0000	152.400	0.0010	0.025	8.0000	203.200	0.0012	0.030	1.0000	25.400	0.010	0.25	0.100	2.5	5.8	2.6	17300	78000	18000	81500	
62BIC290	6.2500	158.750	0.0010	0.025	8.5000	215.900	0.0012	0.030	1.1250	28.575	0.010	0.25	0.120	3.0	7.7	3.5	23200	104000	23600	106000	
65BIC298	6.5000	165.100	0.0010	0.025	8.7500	222.250	0.0012	0.030	1.1250	28.575	0.010	0.25	0.120	3.0	7.9	3.6	22000	98000	22800	102000	
67BIC301	6.7500	171.450	0.0010	0.025	9.0000	228.600	0.0012	0.030	1.1250	28.575	0.010	0.25	0.120	3.0	8.2	3.7	23200	104000	23600	104000	
70BIC309	7.0000	177.800	0.0010	0.025	9.5000	241.300	0.0012	0.030	1.2500	31.750	0.010	0.25	0.120	3.0	10.6	4.8	26000	116000	26500	118000	
72BIC340	7.2500	184.150	0.0012	0.030	9.7500	247.650	0.0012	0.030	1.2500	31.750	0.012	0.31	0.120	3.0	10.8	4.9	27500	122000	27000	122000	
75BIC348	7.5000	190.500	0.0012	0.030	10.0000	254.000	0.0014	0.036	1.2500	31.750	0.012	0.31	0.120	3.0	11.1	5	27500	122000	27000	122000	
77BIC351	7.7500	196.850	0.0012	0.030	10.5000	266.700	0.0014	0.036	1.3750	34.925	0.012	0.31	0.120	3.0	13.9	6.3	32500	146000	32500	143000	
80BIC359	8.0000	203.200	0.0012	0.030	10.7500	273.050	0.0014	0.036	1.3750	34.925	0.012	0.31	0.120	3.0	14.2	6.5	32500	146000	32500	143000	
82BIC390	8.2500	209.550	0.0012	0.030	11.0000	279.400	0.0014	0.036	1.3750	34.925	0.012	0.31	0.120	3.0	14.6	6.6	34500	153000	33500	150000	
85BIC391	8.5000	215.900	0.0012	0.030	11.5000	292.100	0.0014	0.036	1.5000	38.100	0.012	0.31	0.120	3.0	18.0	8.2	37500	166000	36500	163000	
87BIC393	8.7500	222.250	0.0012	0.030	11.7500	298.450	0.0014	0.036	1.5000	38.100	0.012	0.31	0.120	3.0	18.5	8.4	40000	176000	38000	170000	
90BIC401	9.0000	228.600	0.0012	0.030	12.0000	304.800	0.0014	0.036	1.5000	38.100	0.012	0.31	0.120	3.0	18.9	8.6	40000	176000	37500	166000	
95BIC430	9.5000	241.300	0.0012	0.030	12.7500	323.850	0.0016	0.041	1.6250	41.275	0.014	0.36	0.160	4.0	23.4	10.6	45000	200000	42500	190000	
100BIC439	10.0000	254.000	0.0014	0.036	13.2500	336.550	0.0016	0.041	1.6250	41.275	0.014	0.36	0.160	4.0	24.4	11.1	47500	212000	43000	193000	
105BIC470	10.5000	266.700	0.0014	0.036	14.0000	355.600	0.0016	0.041	1.7500	44.450	0.014	0.36	0.160	4.0	29.8	13.5	57000	255000	50000	224000	
110BIC479	11.0000	279.400	0.0014	0.036	14.5000	368.300	0.0016	0.041	1.7500	44.450	0.014	0.36	0.160	4.0	31.0	14.1	57000	255000	50000	220000	
115BIC510	11.5000	292.100	0.0014	0.036	15.2500	387.350	0.0016	0.041	1.8750	47.625	0.014	0.36	0.200	5.0	37.2	16.9	64000	280000	54000	240000	
120BIC519	12.0000	304.800	0.0014	0.036	16.0000	406.400	0.0018	0.046	2.0000	50.800	0.014	0.36	0.200	5.0	44.1	20	71000	315000	58500	255000	
125BIC550	12.5000	317.500	0.0016	0.041	16.5000	419.100	0.0018	0.046	2.0000	50.800	0.016	0.41	0.200	5.0	45.7	20.7	73500	325000	60000	265000	
135BIC580	13.5000	342.900	0.0016	0.041	18.0000	457.200	0.0018	0.046	2.2500	57.150	0.016	0.41	0.200	5.0	61.6	27.9	93000	415000	71000	315000	
140BIC588	14.0000	355.600	0.0016	0.041	18.5000	469.900	0.0018	0.046	2.2500	57.150	0.016	0.41	0.200	5.0	63.4	28.8	93000	415000	69500	310000	
145BIC610	14.5000	368.300	0.0016	0.041	19.5000	495.300	0.0018	0.046	2.5000	63.500	0.016	0.41	0.200	5.0	82.5	37.4	110000	490000	80000	355000	
150BIC613	15.0000	381.000	0.0016	0.041	20.0000	508.000	0.0020	0.051	2.5000	63.500	0.016	0.41	0.200	5.0	84.8	38.5	110000	490000	80000	355000	
155BIC615	15.5000	393.700	0.0016	0.041	20.5000	520.700	0.0020	0.051	2.5000	63.500	0.016	0.41	0.200	5.0	87.1	39.5	110000	490000	78000	345000	
160BIC647	16.0000	406.400	0.0018	0.046	21.5000	546.100	0.0020	0.051	2.7500	69.850	0.018	0.46	0.200	5.0	107.6	48.8	132000	585000	90000	400000	
165BIC660	16.5000	419.100	0.0018	0.046	22.0000	558.800	0.0020	0.051	2.7500	69.850	0.018	0.46	0.200	5.0	110.6	50.2	137000	620000	93000	415000	
170BIC661	17.0000	431.800	0.0018	0.046	22.5000	571.500	0.0020	0.051	2.7500	69.850	0.018	0.46	0.200	5.0	113.3	51.4	137000	620000	93000	415000	
175BIC680	17.5000	444.500	0.0018	0.046	23.5000	596.900															

BIH Series – Maximum Capacity Type

The BIH bearings are essentially an inch dimension series with extra large diameters. They are of the maximum capacity design and feature a counterbored outer ring to permit increased number of balls. These bearings can carry thrust but in one direction only against the full shouldered side of the outer race. Their compact sections make them particularly adaptable in applications where space is restricted.



Dimensions – Tolerances BIH Series XLS

Bearing Number	Bore d				Outside Diameter D				Width C				Fillet Radius ⁽¹⁾		Wt.		Static Load Rating C ₀		Extended Dynamic Load Rating C _E	
	in.	mm	in.	mm	in.	mm	in.	mm	in.	mm	in.	mm	in.	mm	lbs.	kg	lbs.	N	lbs.	N
41BIH196	4.1250	104.648	0.0008	0.020	6.0000	152.400	0.0010	0.025	0.8750	22.23	0.008	0.20	0.10	2.5	3.11	1.411	14000	63000	14600	65500
42BIH196	4.2500	107.950	0.0008	0.020	6.0000	152.400	0.0010	0.025	0.8750	22.23	0.008	0.20	0.10	2.5	2.91	1.32	16000	71000	16300	72000
43BIH206	4.3750	111.125	0.0008	0.020	6.2500	158.750	0.0010	0.025	0.8750	22.23	0.008	0.20	0.10	2.5	3.27	1.483	11400	51000	12900	57000
45BIH206	4.5000	114.300	0.0008	0.020	6.2500	158.750	0.0010	0.025	0.8750	22.23	0.008	0.20	0.10	2.5	3.05	1.383	16600	75000	16600	73500
46BIH216	4.6250	117.475	0.0008	0.020	6.5000	165.100	0.0010	0.025	0.8750	22.23	0.008	0.20	0.10	2.5	3.44	1.56	18000	80000	17300	76500
48BIH225	4.8750	123.825	0.0010	0.025	7.0000	177.800	0.0010	0.025	1.0000	25.40	0.010	0.25	0.10	2.5	4.87	2.209	23200	104000	22400	100000
50BIH225	5.0000	127.000	0.0010	0.025	7.0000	177.800	0.0010	0.025	1.0000	25.40	0.010	0.25	0.10	2.5	5.0	2.3	23200	104000	22400	100000
51BIH240	5.1250	130.175	0.0010	0.025	7.2500	184.150	0.0012	0.030	1.0000	25.40	0.010	0.25	0.10	2.5	5.5	2.5	24000	108000	22800	102000
52BIH240	5.2500	133.350	0.0010	0.025	7.2500	184.150	0.0012	0.030	1.0000	25.40	0.010	0.25	0.10	2.5	5.2	2.4	23200	104000	22400	100000
53BIH247	5.3750	136.525	0.0010	0.025	7.5000	190.500	0.0012	0.030	1.0000	25.40	0.010	0.25	0.10	2.5	5.7	2.6	25000	112000	23200	104000
55BIH247	5.5000	139.700	0.0010	0.025	7.5000	190.500	0.0012	0.030	1.0000	25.40	0.010	0.25	0.10	2.5	5.4	2.5	25000	112000	23200	104000
56BIH251	5.6250	142.875	0.0010	0.025	7.7500	196.850	0.0012	0.030	1.0000	25.40	0.010	0.25	0.10	2.5	5.9	2.7	26000	116000	23600	106000
57BIH251	5.7500	146.050	0.0010	0.025	7.7500	196.850	0.0012	0.030	1.0000	25.40	0.010	0.25	0.10	2.5	5.6	2.5	26000	116000	23600	106000
58BIH258	5.8750	149.225	0.0010	0.025	8.0000	203.200	0.0012	0.030	1.0000	25.40	0.010	0.25	0.10	2.5	6.1	2.8	26500	118000	24000	108000
60BIH258	6.0000	152.400	0.0010	0.025	8.0000	203.200	0.0012	0.030	1.0000	25.40	0.010	0.25	0.10	2.5	5.8	2.6	26500	118000	24000	108000
62BIH290	6.2500	158.750	0.0010	0.025	8.5000	215.900	0.0012	0.030	1.1250	28.575	0.010	0.25	0.12	3.0	7.7	3.5	33500	146000	30000	134000
65BIH298	6.5000	165.100	0.0010	0.025	8.7500	222.250	0.0012	0.030	1.1250	28.575	0.010	0.25	0.12	3.0	7.9	3.6	34500	153000	30500	137000
67BIH301	6.7500	171.450	0.0010	0.025	9.0000	228.600	0.0012	0.030	1.1250	28.575	0.010	0.25	0.12	3.0	8.2	3.7	35500	160000	31000	137000
70BIH309	7.0000	177.800	0.0010	0.025	9.5000	241.300	0.0012	0.030	1.2500	31.750	0.010	0.25	0.12	3.0	10.6	4.8	40500	180000	35500	160000
72BIH340	7.2500	184.150	0.0012	0.030	9.7500	247.650	0.0012	0.030	1.2500	31.750	0.012	0.31	0.12	3.0	10.8	4.9	42500	186000	36000	160000
75BIH348	7.5000	190.500	0.0012	0.030	10.0000	254.000	0.0014	0.036	1.2500	31.750	0.012	0.31	0.12	3.0	11.1	5.0	43000	193000	36500	163000
77BIH351	7.7500	196.850	0.0012	0.030	10.5000	266.700	0.0014	0.036	1.3750	34.925	0.012	0.31	0.12	3.0	13.9	6.3	51000	228000	44000	193000
80BIH359	8.0000	203.200	0.0012	0.030	10.7500	273.050	0.0014	0.036	1.3750	34.925	0.012	0.31	0.12	3.0	14.2	6.5	53000	236000	45000	200000
82BIH390	8.2500	209.550	0.0012	0.030	11.0000	279.400	0.0014	0.036	1.3750	34.925	0.012	0.31	0.12	3.0	10.6	6.6	55000	245000	45500	200000
85BIH391	8.5000	215.900	0.0012	0.030	11.5000	292.100	0.0014	0.036	1.5000	38.100	0.012	0.31	0.12	3.0	18.0	8.2	61000	270000	50000	224000
87BIH393	8.7500	222.250	0.0012	0.030	11.7500	298.450	0.0014	0.036	1.5000	38.100	0.012	0.31	0.12	3.0	18.5	8.4	61000	270000	50000	224000
90BIH401	9.0000	228.600	0.0012	0.030	12.0000	304.800	0.0014	0.036	1.5000	38.100	0.012	0.31	0.12	3.0	18.9	8.6	63000	280000	51000	228000
95BIH430	9.5000	241.300	0.0012	0.030	12.7500	323.850	0.0014	0.036	1.6250	41.275	0.014	0.36	0.16	4.0	23.4	10.6	71000	315000	57000	255000
100BIH439	10.0000	254.000	0.0014	0.036	13.2500	336.550	0.0016	0.041	1.6250	41.275	0.014	0.36	0.16	4.0	24.4	11.1	73500	325000	58500	260000
105BIH470	10.5000	266.700	0.0014	0.036	14.0000	355.600	0.0016	0.041	1.7500	44.450	0.014	0.36	0.16	4.0	29.8	13.5	90000	400000	68000	300000
110BIH479	11.0000	279.400	0.0014	0.036	14.5000	368.300	0.0016	0.041	1.7500	44.450	0.014	0.36	0.16	4.0	31.0	14.1	93000	415000	69500	305000
115BIH510	11.5000	292.100	0.0014	0.036	15.2500	387.350	0.0016	0.041	1.8750	47.625	0.014	0.36	0.20	5.0	37.2	16.9	104000	465000	75000	335000
120BIH519	12.0000	304.800	0.0014	0.036	16.0000	406.400	0.0018	0.046	2.0000	50.800	0.014	0.36	0.20	5.0	44.1	20	116000	510000	80000	355000
135BIH580	13.5000	342.900	0.0016	0.041	18.0000	457.200	0.0018	0.046	2.2500	57.150	0.016	0.41	0.20	5.0	61.6	27.9	146000	655000	95000	425000
140BIH588	14.0000	355.600	0.0016	0.041	18.5000	469.900	0.0018	0.046	2.2500	57.150	0.016	0.41	0.20	5.0	63.4	28.8	150000	680000	96500	430000

⁽¹⁾ Maximum shaft or housing fillet radius which bearing corners will clear.