

Ball bearing for high temperature

BHTS 2RS VT 200°

The BHTS 2RS VT 200° bearings are designed based on the dimensions of a standard bearing but with appropriate treatment of stabilization, radial clearance, greases and special Viton plates which make them suitable to operate from 30 to 200°.

Their application range is extremely wide and covers almost all areas of application, in particular the BHT 2RS VT 200° bearing allows a wide range of safety in all applications where it can also occur temporarily and for reasons not dependent on the will of the designer, occasional phenomenon of overheating.

The current trend of globalization of supply, often creates situations of application of products not predictable and not calculable; the BHT 2RS VT 200° bearing allows total security, impossible with standard products.

The Viton seals in which these bearings are equipped with are suitable for much higher temperatures to a point of 280°, but the overall structure of the bearing can be safely used up to 200°.

Even though the BHTS 2RS VT 200° bearing is designed exclusively for applications in high temperatures, the Viton characteristics make it resistant to many types of acids. With regards to special applications in the presence of acid, consult the catalogue on stainless steel bearings. For needs relating to problems of acids added to temperature problems, there are high temperature stainless steel bearings available with Viton seals.

Technical characteristics:

Material steel AISI 52100 (Chrome) stabilized for the application

C4 radial clearance

Seals 2RS in steel with vulcanized rubber for 200° Viton

Greasing with grease for temperatures up to 200° (with a drop point of 320°)

Fields of application:

Air conveyors

Industrial fan

Packaging machinery

Steel industry

Ceramic industry

Papermaking industry

Ball bearing for high temperature

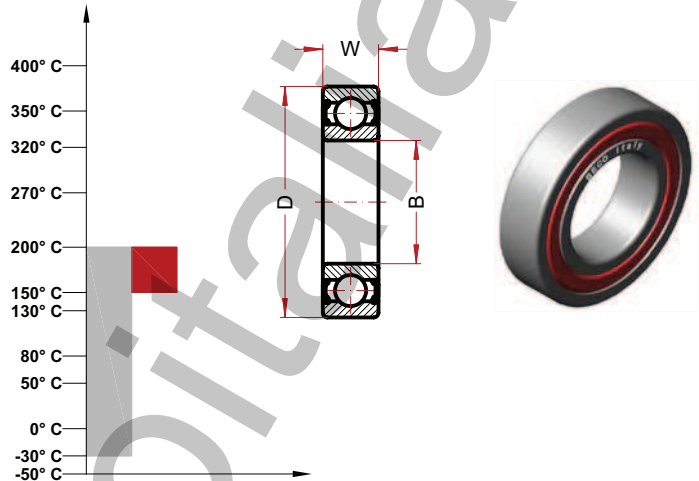
BHTS 2RS VT 200° (61800 Serie)

MAX TEMP CELSIUS 200° C

MAX TEMP FAHRENHEIT 392° F

SUGGESTED RANGE 120°-200° C

SUGGESTED RANGE 242°-392° F



Designation	Bore (B)	Diam (D)	Width (W)	Weight g	Speed RPM/min (*)	Static Load kN
61800 BHTS 2RS VT 200°	10	19	5	6	6000	0.47
61801 BHTS 2RS VT 200°	12	21	5	7	6000	0.85
61802 BHTS 2RS VT 200°	15	24	5	8	6000	1.12
61803 BHTS 2RS VT 200°	17	26	5	9	6000	1.3
61804 BHTS 2RS VT 200°	20	32	7	18	5600	2.01
61805 BHTS 2RS VT 200°	25	37	7	24	5400	2.52
61806 BHTS 2RS VT 200°	30	42	7	27	5000	3
61807 BHTS 2RS VT 200°	35	47	7	32	4800	3.24
61808 BHTS 2RS VT 200°	40	52	7	35	4400	3.8
61809 BHTS 2RS VT 200°	45	58	7	42	4000	5.04
61810 BHTS 2RS VT 200°	50	65	7	52	3600	5.6
61811 BHTS 2RS VT 200°	55	72	9	81	3200	7.6
61812 BHTS 2RS VT 200°	60	78	10	105	2800	9.9
61813 BHTS 2RS VT 200°	65	85	10	124	2600	10.8
61814 BHTS 2RS VT 200°	70	90	10	133	2000	11.2

Static load and max speed are calculated for the maximum temperature of application we supply this technical information only for help customer in the choice. Due the extremely difference in the condition of application. We suggest to the customer to contact our engineering service and made practical test for check in the real condition the practical working.

Ball bearing for high temperature

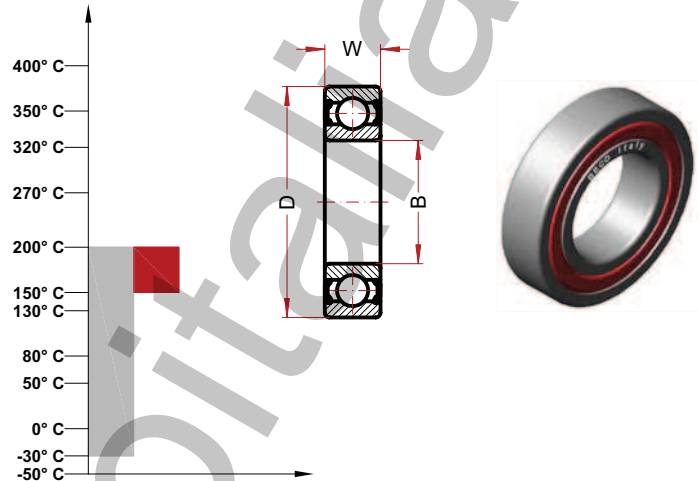
BHTS 2RS VT 200° (6000 Serie)

MAX TEMP CELSIUS 200° C

MAX TEMP FAHRENHEIT 392° F

SUGGESTED RANGE 120°-200° C

SUGGESTED RANGE 242°-392° F



Designation	Bore (B)	Diam (D)	Widht (W)	Weight g	Speed RPM/min (*)	Static Load kN
6000 BHTS 2RS VT 200°	10	26	8	20	6000	1.76
6001 BHTS 2RS VT 200°	12	28	8	25	5800	2.1
6002 BHTS 2RS VT 200°	15	32	9	30	5600	2.5
6003 BHTS 2RS VT 200°	17	35	10	40	5400	2.9
6004 BHTS 2RS VT 200°	20	42	12	69	5200	4.5
6005 BHTS 2RS VT 200°	25	47	12	80	4800	5.2
6006 BHTS 2RS VT 200°	30	55	13	120	4400	7.2
6007 BHTS 2RS VT 200°	35	62	14	160	4000	9.3
6008 BHTS 2RS VT 200°	40	68	15	190	3600	10.6
6009 BHTS 2RS VT 200°	45	75	16	250	3200	12.8
6010 BHTS 2RS VT 200°	50	80	16	260	2800	14
6011 BHTS 2RS VT 200°	55	90	18	390	2400	19
6012 BHTS 2RS VT 200°	60	95	18	420	2000	20.8
6013 BHTS 2RS VT 200°	65	100	18	440	1800	22.5
6014 BHTS 2RS VT 200°	70	110	20	600	1600	28.3
6015 BHTS 2RS VT 200°	75	115	20	640	1400	30.6
6016 BHTS 2RS VT 200°	80	125	22	850	1200	36
6017 BHTS 2RS VT 200°	85	130	22	890	1000	38.7
6018 BHTS 2RS VT 200°	90	140	24	1150	900	45
6019 BHTS 2RS VT 200°	95	145	24	1200	800	48.6
6020 BHTS 2RS VT 200°	100	150	24	1250	700	48.6

Static load and max speed are calculated for the maximum temperature of application we supply this technical information only for help customer in the choice. Due the extremely difference in the condition of application. We suggest to the customer to contact our engineering service and made pratical test for check in the real condition the pratical working.

Ball bearing for high temperature

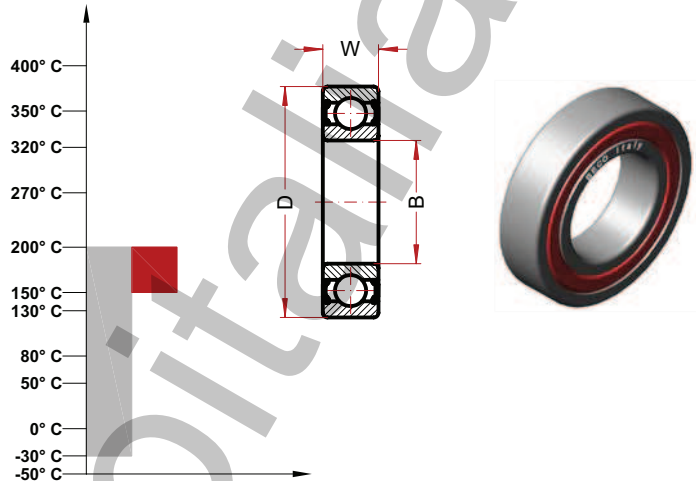
BHTS 2RS VT 200° (6200 Serie)

MAX TEMP CELSIUS 200° C

MAX TEMP FAHRENHEIT 392° F

SUGGESTED RANGE 120°-200° C

SUGGESTED RANGE 242°-392° F



Designation	Bore (B)	Diam (D)	Widht (W)	Weight g	Speed RPM/min (*)	Static Load kN
6200 BHTS 2RS VT 200°	10	30	9	30	5800	2.3
6201 BHTS 2RS VT 200°	12	32	10	37	5600	2.8
6202 BHTS 2RS VT 200°	15	35	11	45	5400	3.3
6203 BHTS 2RS VT 200°	17	40	12	65	5200	4.2
6204 BHTS 2RS VT 200°	20	47	14	110	4800	5.9
6205 BHTS 2RS VT 200°	25	52	15	130	4400	7.2
6206 BHTS 2RS VT 200°	30	62	16	200	4000	10
6207 BHTS 2RS VT 200°	35	72	17	290	3600	13.7
6208 BHTS 2RS VT 200°	40	80	18	370	3200	16.2
6209 BHTS 2RS VT 200°	45	85	19	410	2800	18.3
6210 BHTS 2RS VT 200°	50	90	20	460	2400	21.6
6211 BHTS 2RS VT 200°	55	100	21	610	2000	26.1
6212 BHTS 2RS VT 200°	62	110	22	780	1800	32.4
6213 BHTS 2RS VT 200°	65	120	23	990	1600	37.3
6214 BHTS 2RS VT 200°	70	125	24	1040	1400	39.6
6215 BHTS 2RS VT 200°	75	130	25	1210	1200	44.1
6216 BHTS 2RS VT 200°	80	140	26	1400	1000	49.5
6217 BHTS 2RS VT 200°	85	150	28	1800	900	57.6
6218 BHTS 2RS VT 200°	90	160	30	2150	800	66.1
6219 BHTS 2RS VT 200°	95	170	32	2600	700	73.3
6220 BHTS 2RS VT 200°	100	180	34	3150	600	83.7

Static load and max speed are calculated for the maximum temperature of application we supply this technical information only for help customer in the choice. Due the extremely difference in the condition of application. We suggest to the customer to contact our engineering service and made pratical test for check in the real condition the pratical working.

Ball bearing for high temperature

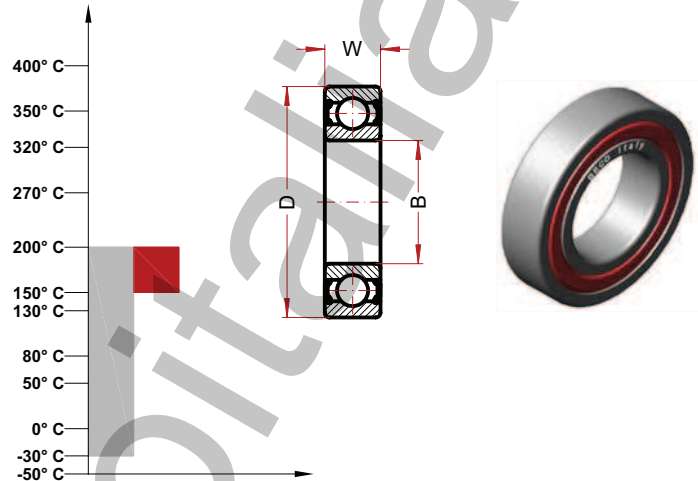
BHTS 2RS VT 200° (6300 Serie)

MAX TEMP CELSIUS 200° C

MAX TEMP FAHRENHEIT 392° F

SUGGESTED RANGE 120°-200° C

SUGGESTED RANGE 242°-392° F



Designation	Bore (B)	Diam (D)	Widht (W)	Weight g	Speed RPM/min (*)	Static Load kN
6300 BHTS 2RS VT 200°	10	35	11	52	5600	3.1
6301 BHTS 2RS VT 200°	12	37	12	60	5400	3.7
6302 BHTS 2RS VT 200°	15	42	13	80	5200	4.8
6303 BHTS 2RS VT 200°	17	47	14	120	4800	5.8
6304 BHTS 2RS VT 200°	20	52	15	140	4400	7.6
6305 BHTS 2RS VT 200°	25	62	17	225	4000	10.2
6306 BHTS 2RS VT 200°	30	72	19	350	3600	14.6
6307 BHTS 2RS VT 200°	35	80	21	450	3200	17.1
6308 BHTS 2RS VT 200°	40	90	23	620	2800	22.5
6309 BHTS 2RS VT 200°	45	100	25	830	2400	28.8
6310 BHTS 2RS VT 200°	50	110	27	1050	2000	34.2
6311 BHTS 2RS VT 200°	55	120	29	1350	1800	42.7
6312 BHTS 2RS VT 200°	60	130	31	1700	1600	46.8
6313 BHTS 2RS VT 200°	65	140	33	2100	1400	54
6314 BHTS 2RS VT 200°	70	150	35	2500	1200	61.2
6315 BHTS 2RS VT 200°	75	160	37	3000	1000	68.8
6316 BHTS 2RS VT 200°	80	170	39	3600	900	77.8
6317 BHTS 2RS VT 200°	85	180	41	4250	800	86.8
6318 BHTS 2RS VT 200°	90	190	43	4900	700	97.2
6319 BHTS 2RS VT 200°	95	200	45	5650	600	106.2
6320 BHTS 2RS VT 200°	100	215	47	7000	500	126

Static load and max speed are calculated for the maximum temperature of application we supply this technical information only for help customer in the choice. Due the extremely difference in the condition of application. We suggest to the customer to contact our engineering service and made pratical test for check in the real condition the pratical working.